

# LAMILUX Glass Skylight FE Circular

with 0° or 5° inclined upstand - Assembly instruction

## General comments

The content of this assembly instruction manual has been established to the best of our knowledge. All notes, technical and visual information reflect the current state of technology and are based on our experiences.

Legal claims cannot be derived from the content of this installation manual. LAMILUX reserves the right to change technical specifications.

Every work has to be done in accordance with the current state of technology, the regulations and guidelines of authorities, trade associations, accident prevention regulations and professional associations of the Federal Republic of Germany, the European Union and the country of destination. As far as standards, technical regulations or guidelines (e.g. EN or equal standards) exist, the work has to be done in compliance with those directives.

Revision index:

This version replaces previous editions completely.



The assembly instruction manual must be read before installation  
Particularly the safety and operating instructions



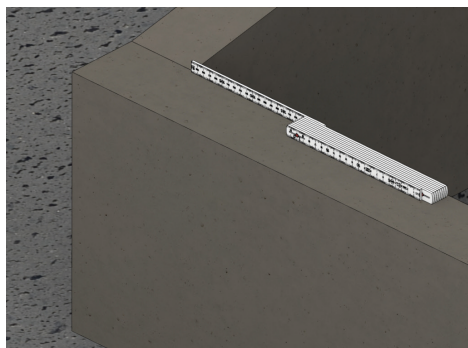
Do not step on glass - RISK OF BREAKING THROUGH



Always use fall arrest equipment and follow national regulations for fall-through protection



Check all materials are complete on delivery



### Check and prepare for installation

In general, the building tolerances apply which can be given on request.

# Contents

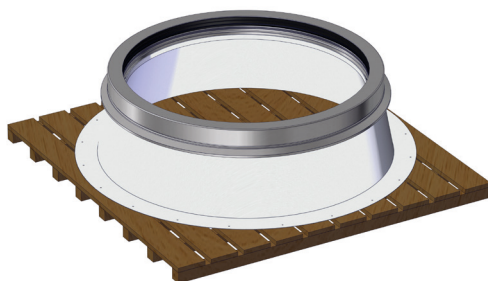


|                                    |         |
|------------------------------------|---------|
| transport   assembly               | 5       |
| structural attachment              | 6 – 7   |
| rigid locked - outside             | 8       |
| rigid locked - inside              | 9       |
| 24V drive tandem "Type JM-DC"      | 10 – 11 |
| wiring diagrams of electric drives | 12      |

## Transport | Assembly

Skylights of the Glass Skylight FE Circular series will be delivered already completely pre-assembled onto its GRP upstand. The skylights will be therefore packed on a wooden crate. The bottom of the wooden crate is designed with square timbers and can be transported with a forklift truck. Lifting up the skylights to the roof should be done including the wooden crate. For safety reasons, the skylights should be kept inside the wooden crate for as long as possible.

Do NOT lift up the skylights on the frame (risk of breakage). Skylights can be carefully lifted from the bottom flange to carry it to the roof opening.



Avoid overheating!

### ATTENTION

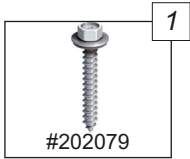
Always store aerated

NEVER lift the upper part of the glass as well as the entire element with a glass sucker.

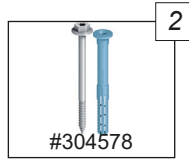
**Risk of glass breakage**



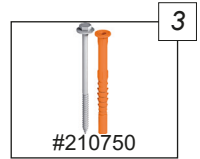
# Structural attachment



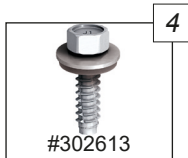
Short wooden screw  
JA3-6,5x50-E16/2



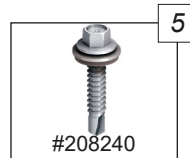
Screw-in wall plug  
SDF-KB-10Vx50-V



Screw-in wall plug  
SDP-KB-10Gx80-V



Sealing screw  
JA3-6,5x32-E16/2



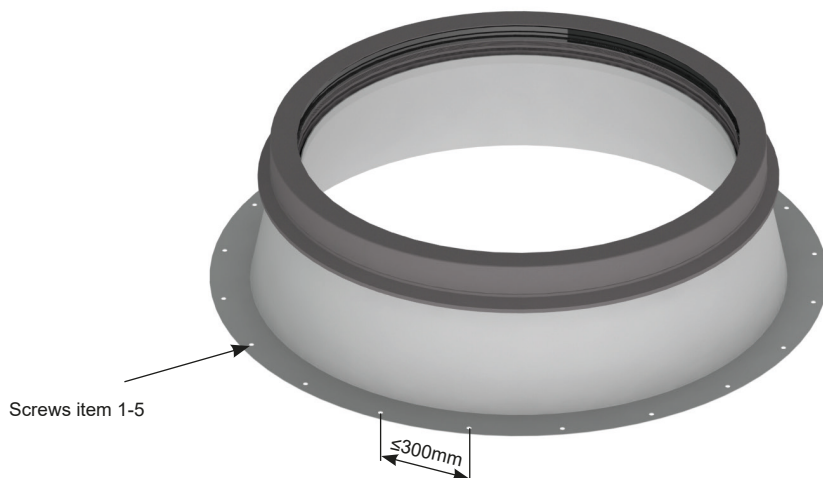
Drilling screw  
JT3-6-5,5x30 E16/2

| Substructure        | Item number | Drill hole in upstand |
|---------------------|-------------|-----------------------|
| Wood                | 1           | Ø 7mm                 |
| Reinforced concrete | 2           | Ø 10,5mm              |
| Aerated concrete    | 3           | Ø 10,5mm              |
| Steel 0,63 - 1,5mm  | 4           | Ø 7mm                 |
| Steel 1,5 - 3mm     | 5           | Ø 6mm                 |



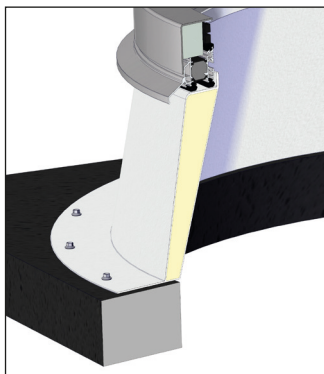
Fixings are not included in scope of delivery. Please contact our sales office if you wish to add these to your order. Equivalent screws and plugs with technical approval can be procured from most DIY stores or your local builders merchants and can also be used

Starting at one point, evenly space your fixings at 300mm centres.  
Please refer to fixing details table (page 6) depending on substructure.



**Note:**

We recommend a roof pitch of  $>5^\circ$  or a corresponding wedge to prevent water ponding on the Glass Skylight FE Circular.



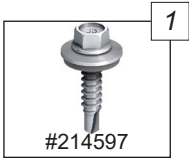
Please note!  
Waterproofing is to be carried out by an approved roofer after installation.

# Glass fixing option A

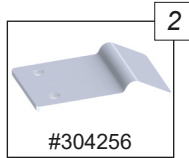
## Rigid locked - outside

In the event of upstand and upper part being separated

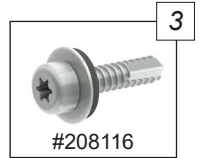
Components:



drilling screw  
JT3-FR-2H 5,5x25

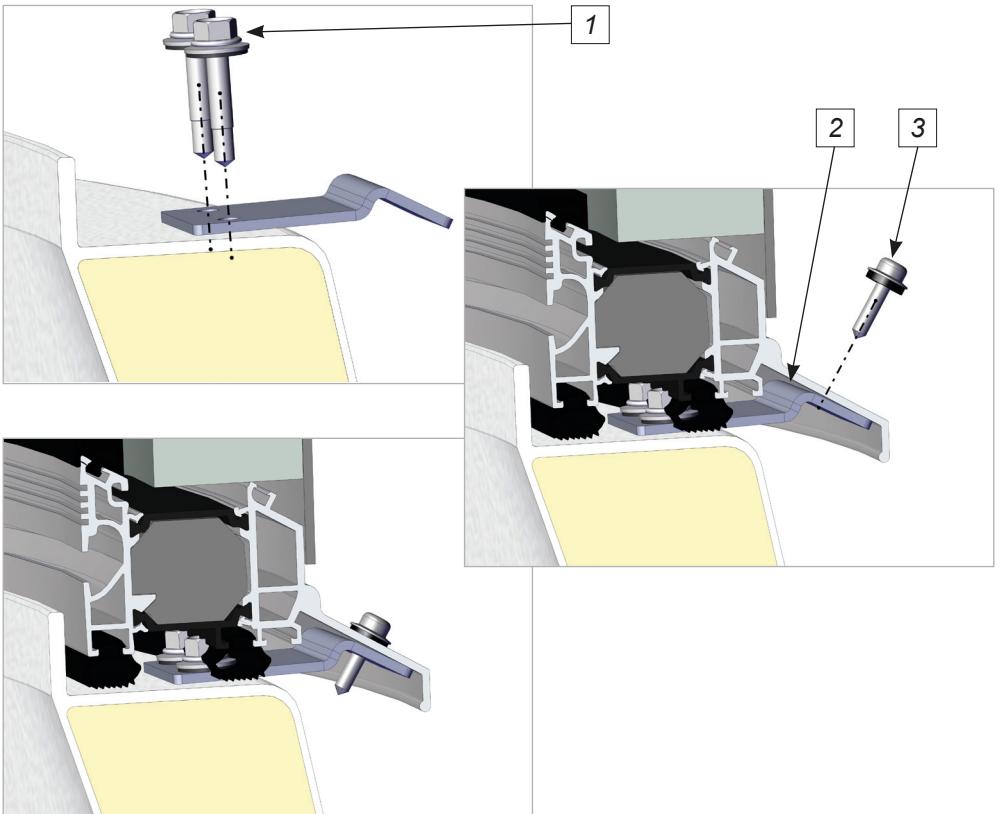


locking sheet  
outside



drilling screw  
JT4-ZT-4 4,8x19

Assembly:

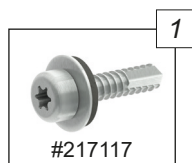




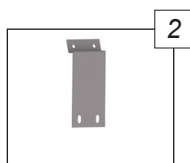
## Glass fixing option B Rigid locked - inside

In the event of upstand and upper part being separated

Components:

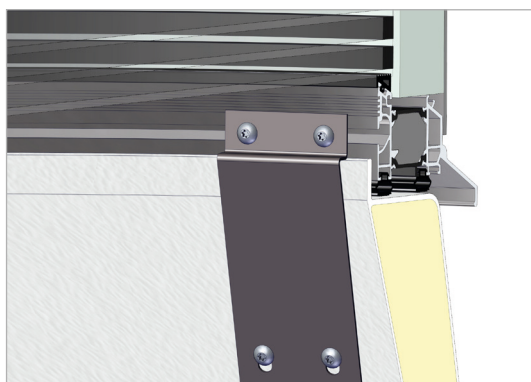
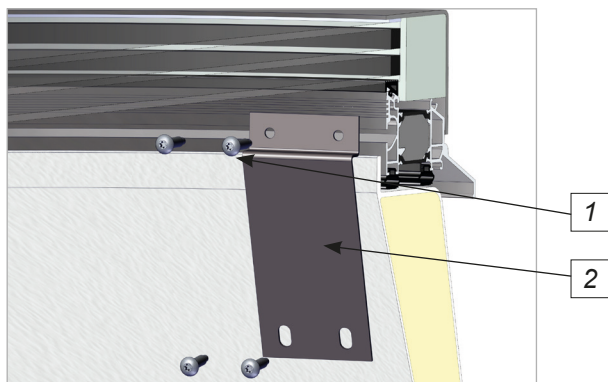


drilling screw  
JT3-FR-6 5,5x35



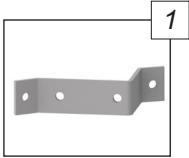
z-sheet

Assembly:

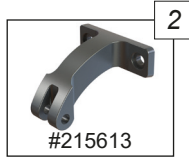


# Components and fixing detail for 24V tandem drive “Type JM-DC”

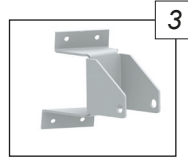
Components:



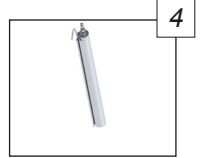
wing bent bracket



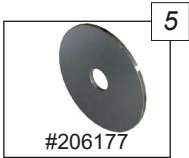
wing bent



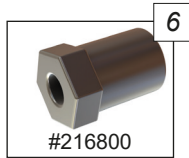
motor bracket



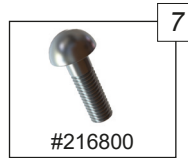
motor 24V / 230V



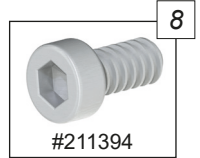
washer 5,2



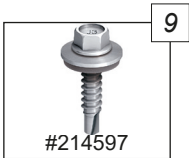
threaded bush M5



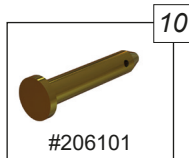
stud screw JM-DC



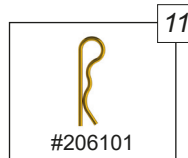
cylinder head screw  
DIN 912 M6x14



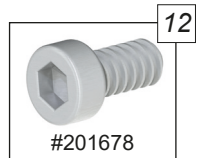
drilling screw  
JT3-FR-2H 5,5x25



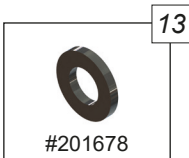
locating bolt



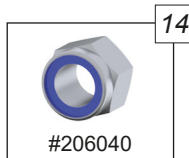
lock splint



cylinder head screw  
DIN 912 M6x12



washer  
DIN 125 6,4



nut  
DIN 985 M6

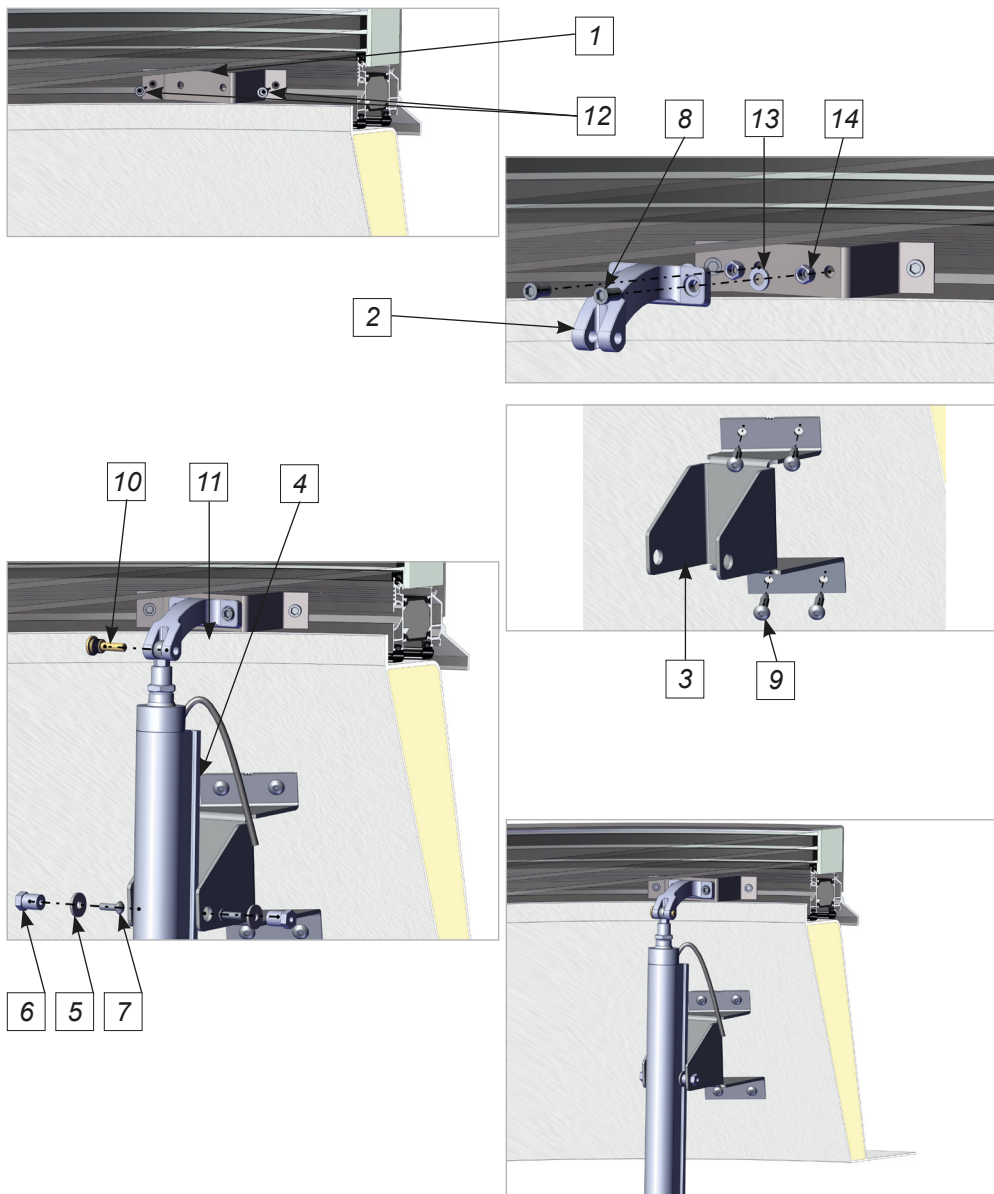


power pack for venti-  
lation only for 230V  
version



synchronous-speed  
control LA-GL/2

## Assembly:



# Wiring diagrams of electric drives

Ventilation electric 24V

|                          |                |
|--------------------------|----------------|
| <b>technical details</b> |                |
| driving force            | spindle drive  |
| maintenance              | 24V DC, +4/-2V |
| rated current            | 0,8A / 19,2W   |
| nominal force            | 650N           |
| run-time                 | ca. 375mm/min  |
| case                     | aluminium      |
| safety class             | IP65           |
| load breaking            | integrated     |
| cable length             | 1,7m - 2,4m    |
| part number              | 7866           |

Tandem 24V



To ensure a smooth operation, the motors need to be synchronised via an external synchronisation control!



Scan this to learn more about  
**LAMILUX skylights!**



ROOFLIGHT F100 W



GLASS SKYLIGHT F100



GLASS SKYLIGHT FE



GLASS ARCHITECTURE



FLAT ROOF ACCESS HATCH



MIROTEC STEEL CONSTRUCTIONS



CONTINUOUS ROOFLIGHT B/S



RENOVATION



TRANSLUCENT FAÇADE AND ROOF



SMOKE AND HEAT EXHAUST  
VENTILATION SYSTEMS



BUILDING SMOKE EXTRACTION



RODA LIGHT AND AIR TECHNOLOGY

The technical data listed in this brochure correspond to the current status at the time of printing and are subject to change. Our technical specifications are based on calculations and supplier specifications, or have been determined by independent testing authorities within the scope of applicable standards. Thermal transmission coefficients for our plastic glazing were calculated using the finite element method with reference values in accordance with DIN EN 673 for insulated glass. Taking into account practical experience and the specific characteristics of plastic, the temperature difference between the outer surfaces of the material was defined as 15 K. Functional values refer to test specimens and the dimensions used in testing only. We cannot provide any further guarantees of technical values. This particularly applies to changed installation conditions or if dimensions are re-measured on site.



**LAMILUX U.K. Limited**

Suite 1 Beacon House · Kempson Way · Bury St Edmunds · Suffolk, IP32 7AR · Tel.: +44 (0) 1284 / 749051  
E-Mail: sales@lamiluxskylights.co.uk · www.lamiluxskylights.co.uk · Registered in England Reg. No.: 07476237

