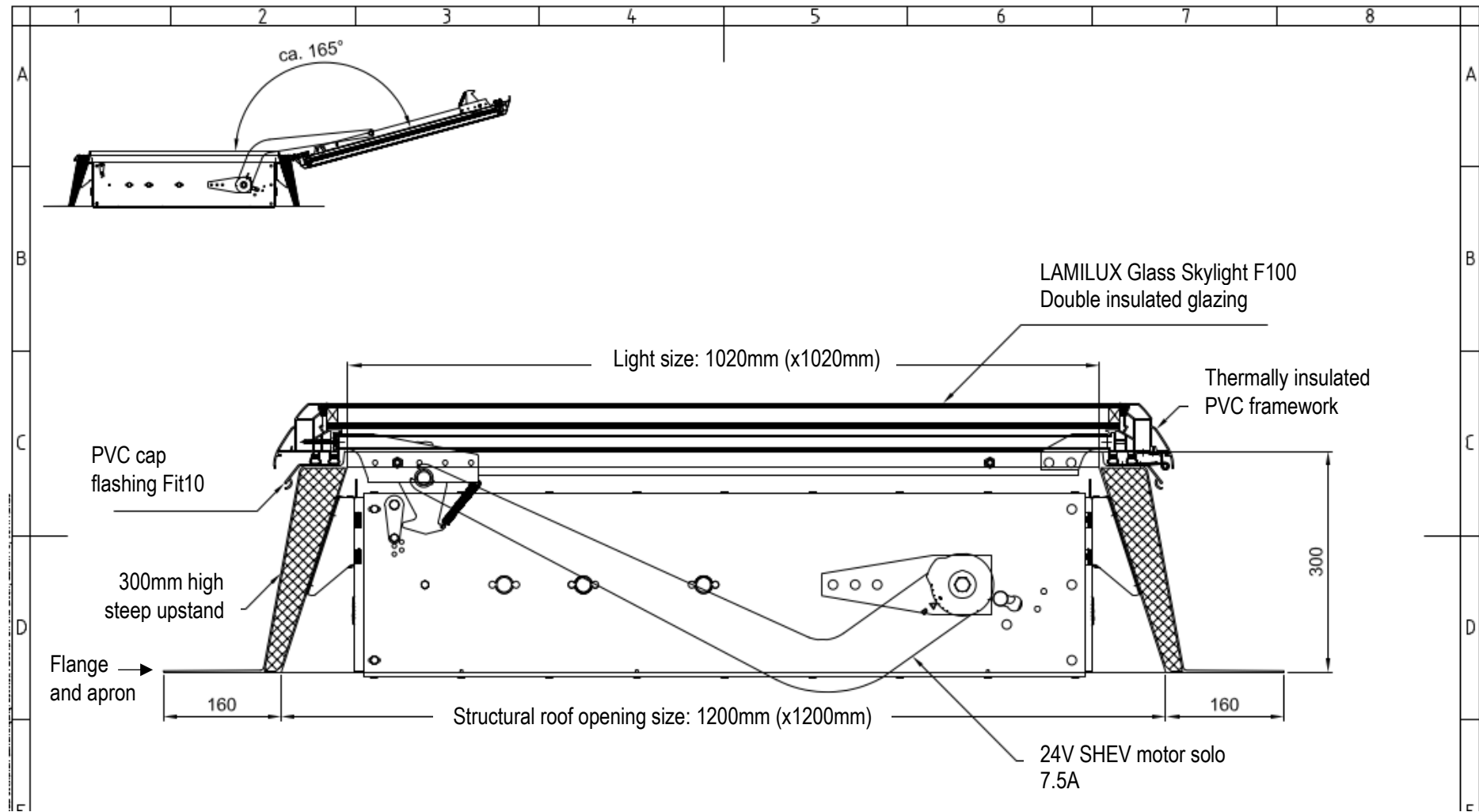


Product code: F100G-S14-S



FS 782324

