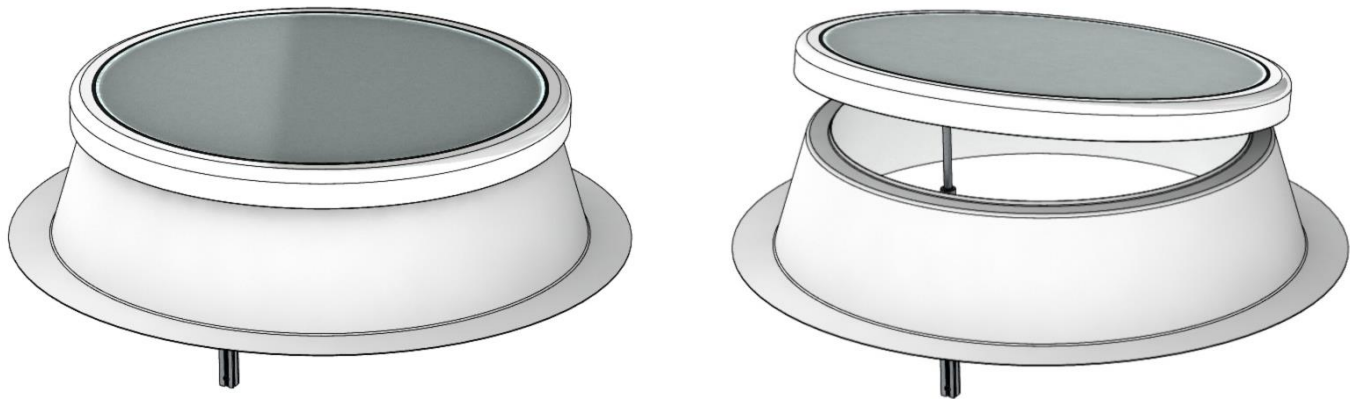


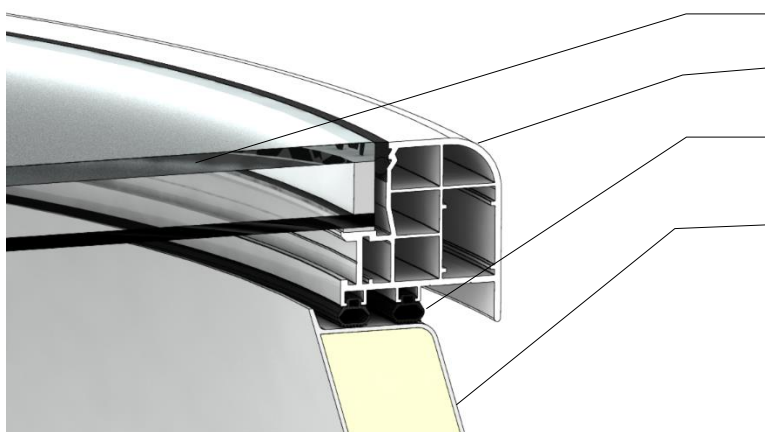
LAMILUX Glass Skylight F100 Circular.

Technical data sheet.



The Glass Skylight F100 Circular offers high levels of wind and rain resistance and has enhanced isothermal characteristics in the overall construction – this results in no condensation whilst achieving maximum energy efficiency and thermal insulation alongside excellent air tightness values. Suitable for flat roof residential and administrative or school building projects it features a flush glass to frame edge detail both internally and externally, boasting not only a visually appealing seamless design, but also ensuring rainwater can run-off easily without leaving dirty edges or water ponding.

Materials.



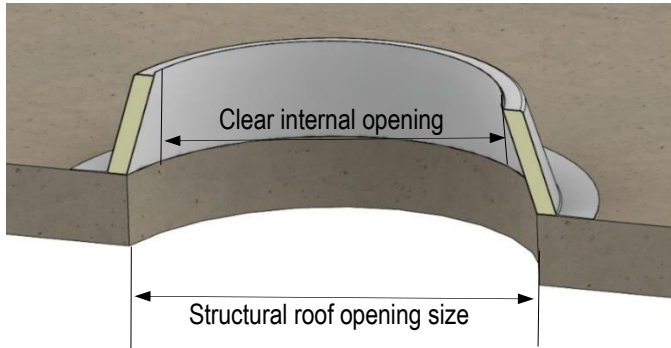
Glazing: Toughened outer and laminated safety inner

Frame: Thermally broken White PVC (RAL 9016)

Multi layered airtight double sealing system

Upstand: Thermally insulated GRP with seamless silk-white interior finish (RAL 9016)

Dimensions.



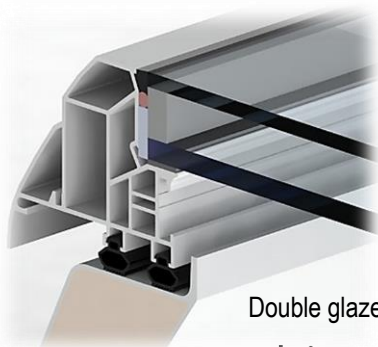
Available structural roof opening sizes (mm) Ø	Clear internal opening size (mm) Ø
600	540
800	620
900	720
1000	820
1200	1020
1500	1320
1800	1620

Weights.

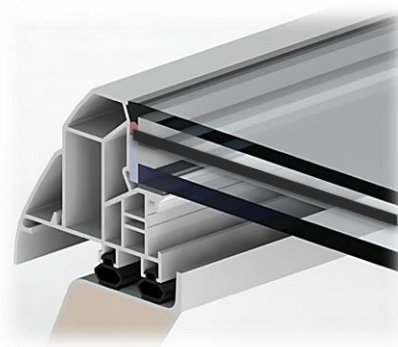
Structural roof opening size (mm) Ø	Upper part		Upstand			
	Double glazed	Triple glazed	300mm	500mm	700mm	500mm -5°
600	c. 11 kg	c. 12 kg	c. 9 kg	c. 13 kg	c. 18 kg	c. 18 kg
800	c. 20 kg	c. 22 kg	c. 11 kg	c. 16 kg	c. 20 kg	c. 22 kg
900	c. 25 kg	c. 27 kg	c. 13 kg	c. 17 kg	c. 23 kg	c. 25 kg
1000	c. 31 kg	c. 34 kg	c. 14 kg	c. 19 kg	c. 25 kg	c. 28 kg
1200	c. 45 kg	c. 49 kg	c. 16 kg	c. 22 kg	c. 30 kg	c. 34 kg
1500	c. 70 kg	c. 77 kg	c. 20 kg	c. 27 kg	c. 37 kg	c. 40 kg
1800	c. 109 kg	c. 120 kg	c. 25 kg	c. 33 kg	c. 46 kg	c. 48 kg

Upper part.

Glazing structurally bonded into the frame giving a flush edge finish, creating an unobstructed drain for rainwater and removal of dirt and debris build up at the cill.



Double glazed



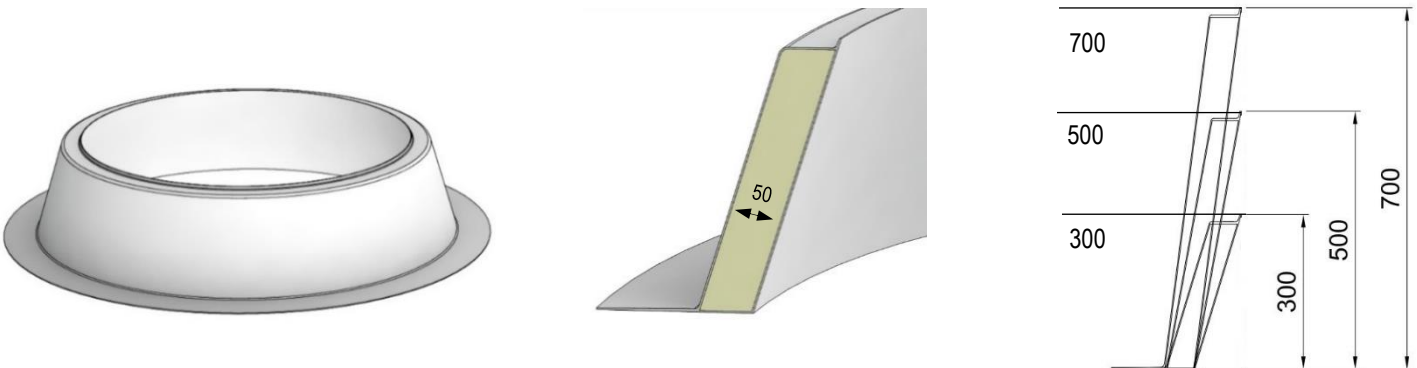
Triple glazed

Type	Glass outside (Toughened)	Spacer	Glass Centre	Spacer	Glass inside (Laminated)	Light Transmission	Total energy transmittance	Sound insulation value $R_{w,p}$	Ug-Value
Double glazed – standard	6mm	22	-	-	10mm	79%	0.61	C. 38dB	1.1 (W/m ² k)
	6mm	22	-	-	10mm	54%	0.59		
Double glazed - solar control coating	6mm	22	-	-	10mm	60%	0.29		
	6mm	22	-	-	10mm	41%	0.28		
Triple glazed - standard	6mm	10	4 Float	10	8mm - clear	72%	0.51	C. 39dB	0.6 (W/m ² k)
	6mm	10	4 Float	10	8mm - matt	49%	0.50		
Triple glazed – solar control coating	6mm	10	4 Float	10	8mm - clear	55%	0.31		
	6mm	10	4 Float	10	8mm - matt	37%	0.30		

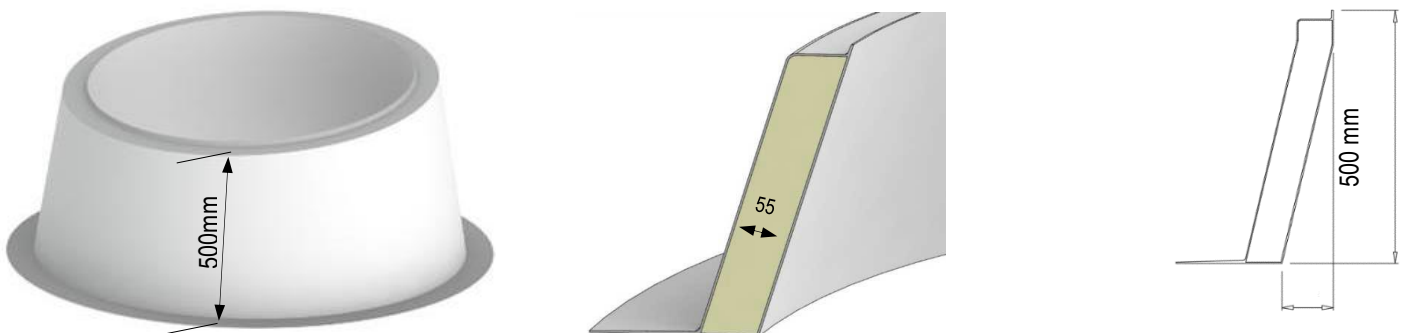
Upstand.

Upstand is delivered pre-assembled to the upper part for quick and easy site installation.

Option 1: For 5° to 30° roof openings. Standard upstand in a choice of heights: 300mm / 500mm / 700mm.



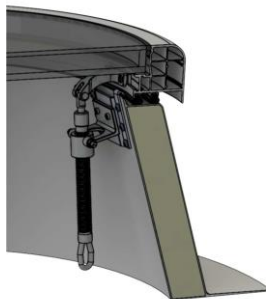
Option 2: For flat roof openings: 500mm high upstand with 5° inclination built in. Recommended on flat roofs to enable water drainage.



Ventilation details.

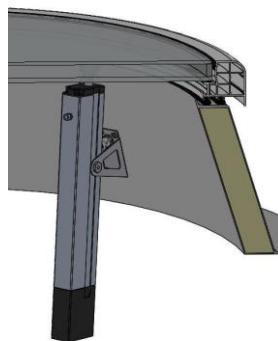
Manual opener

Available in sizes up to 1000mm Ø.



230v Spindle opener

Available in sizes up to 1500mm Ø.
300mm stroke length.



24v Spindle opener

Concealed cable routing.
300mm stroke length in sizes up to 900mm Ø.
500mm stroke length in sizes 1000mm – 1800mm Ø.



Chain drive (concealed)

Available with 500mm high upstand in sizes 1200mm Ø and 1500mm Ø only.
150mm stroke length.

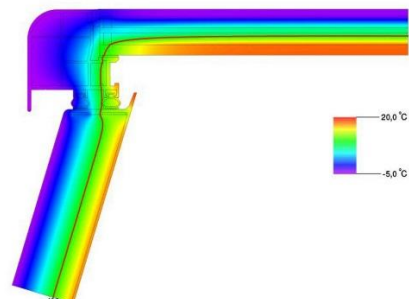


Performance.

For full product performance specification available on request.

- CE marked quality according to EN 1873.
- Life Cycle Assessment (LCA) to EN 15804.
- Airtight to Class 4, EN 12207.
- Water tightness to Class 4 according to BS EN 12208.
- Wind Load to Class C4, EN 12210.
- CWCT Class 2 Non-fragile
- Thermally broken: 10° isothermal line remains within the structure (see diagram)

Isothermal line diagram





Delivery, packing and storage.

All deliveries, unless otherwise agreed in writing, are by road transport and subject to our standard delivery terms, which are available within the document: 'Company overview and standard delivery and installation terms.' Off-loading is the responsibility of the buyer. Details of packing and safe storage are also included in this document.

Interface and fitting.

Installation service, available on request. Subject to our standard installation terms, which are available within the document: 'Company overview and standard delivery and installation terms.' Installation guide available, please contact LAMILUX UK. Flat roofing membrane or roof covering to be sealed up the upstand by others to complete the weathertight assembly. Please call to discuss contract/site specific install requirements.

