

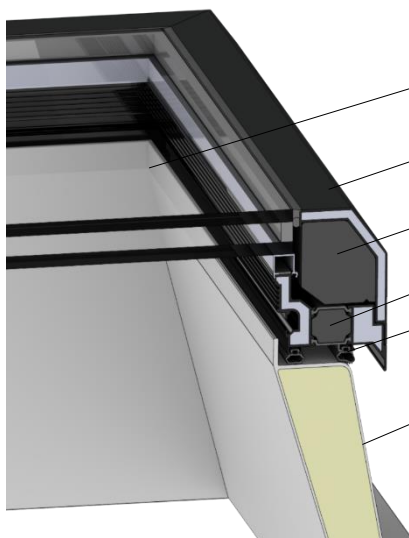
LAMILUX Glass Skylight FE 0°.

Technical data sheet.



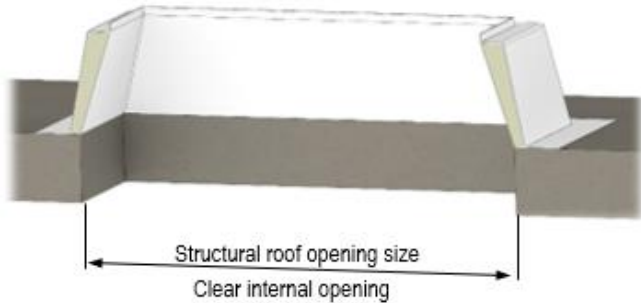
The Glass Skylight FE 0° is the flat aluminium framed modular skylight offering quality and sophistication alongside choice and flexibility. It features a flush glass to frame edge detail both internally and externally, boasting a visually appealing seamless design to compliment your choice of framework RAL colour. Available in a comprehensive list of 39 standard sizes up to 2500x2500mm, the Glass Skylight FE 0° benefits from enhanced isothermal characteristics in the overall construction – this results in no condensation whilst achieving maximum energy efficiency and thermal insulation alongside excellent air tightness values.

Materials.



- Glazing: Toughened outer and laminated safety inner
- Frame: Thermally broken aluminium frame (your choice of RAL colour)
- Insulation core: Thermally optimised insulation core
- PU foam insulation core
- Multi layered airtight double sealing system
- Upstand: Thermally insulated GRP with seamless silk-white interior finish (RAL 9016)

Dimensions.

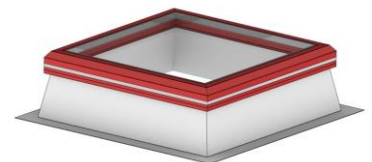


Structural roof opening size (mm)	Upper part	
	Double glazed	Triple glazed
500 x 1000	•	•
500 x 1500	•	•
600 x 600	•	•
600 x 900	•	•
600 x 1200	•	•
700 x 1350	•	•
800 x 800	•	•
800 x 1500	•	•
900 x 900	•	•
900 x 1200	•	•
900 x 1450	•	•
1000 x 1000	•	•
1000 x 1500	•	•
1000 x 2000	•	•
1000 x 2400	•	•
1000 x 2500	•	•
1000 x 3000	•	•

Structural roof opening size (mm)	Upper part	
	Double glazed	Triple glazed
1200 x 1200	•	•
1200 x 1500	•	•
1200 x 1800	•	•
1200 x 2400	•	•
1200 x 2500	•	•
1200 x 2700	•	•
1250 x 1250	•	•
1250 x 2500	•	•
1400 x 1400	•	•
1500 x 1500	•	•
1500 x 1800	•	•
1500 x 2000	•	•
1500 x 2100	•	•
1500 x 2400	•	•
1500 x 2500	•	•
1500 x 2700	•	•
1500 x 3000	•	•
1800 x 1800	•	•
1800 x 2400	•	•
1800 x 2500	•	•
1800 x 2700	•	•
2000 x 2000	•	•

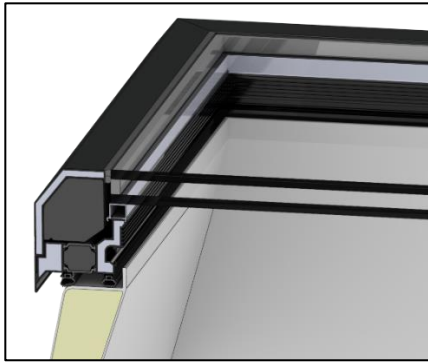
Upper part - framework.

The aluminium framework can be coated in any single RAL colour as standard. Optionally dual powder coating is available if different internal and external finishes are preferred.

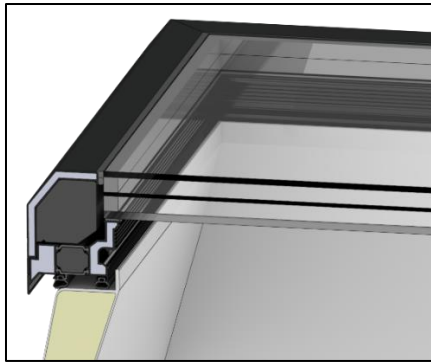


Upper part - glazing.

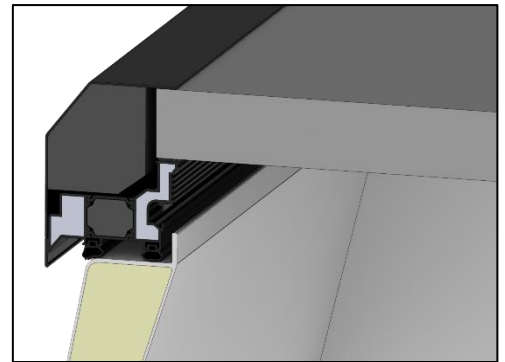
Glazing structurally bonded into the frame giving a flush edge finish, creating an unobstructed drain for rainwater and removal of dirt and debris build up at the cill. (Note no flush edge water drainage for solid insulated panel.)



Double glazed



Triple glazed



Solid insulated panel – suitable for hatches with no daylight requirements.

Type	Glass outside (Toughened)	Spacer	Glass Centre	Spacer	Glass inside (Laminated)	Light Transmission	Total energy transmittance	Sound insulation value $R_{w,p}$	Ug-Value
Double glazed – standard	6mm	20	-	-	8mm	80%	0.62	C. 38dB	1.1 (W/m ² k)
Double glazed - solar control coating 50/25	6mm	20	-	-	8mm	52%	0.28	C. 38dB	1.1 (W/m ² k)
Double glazed - solar control coating 60/30	6mm	20	-	-	8mm	60%	0.33	C. 38dB	1.1 (W/m ² k)
Double glazed - solar control coating 70/37	6mm	20	-	-	8mm	68%	0.37	C. 38dB	1.0 (W/m ² k)
Double glazed – sound insulation 45dB	10mm	16	-	-	8mm	79%	0.55	C. 45dB	1.1 (W/m ² k)
Triple glazed - standard	6mm	16	4mm	16	8mm	72%	0.51	C. 39dB	0.6 (W/m ² k)
Triple glazed - solar control coating 50/25	6mm	16	4mm	16	8mm	45%	0.25	C. 39dB	0.6 (W/m ² k)
Triple glazed - solar control coating 60/30	6mm	16	4mm	16	8mm	55%	0.30	C. 39dB	0.6 (W/m ² k)
Triple glazed - solar control coating 70/37	6mm	16	4mm	16	8mm	62%	0.34	C. 39dB	0.6 (W/m ² k)
Type	External material	Centre material	Internal material						
Solid insulated panel - GRP	GRP	Jackodur	GRP			-	-	C. 22dB	0.9 (W/m ² k)
Solid insulated panel - GRP+Alu sheet	Alu + GRP	Jackodur	Alu + GRP			-	-	C. 22dB	0.9 (W/m ² k)

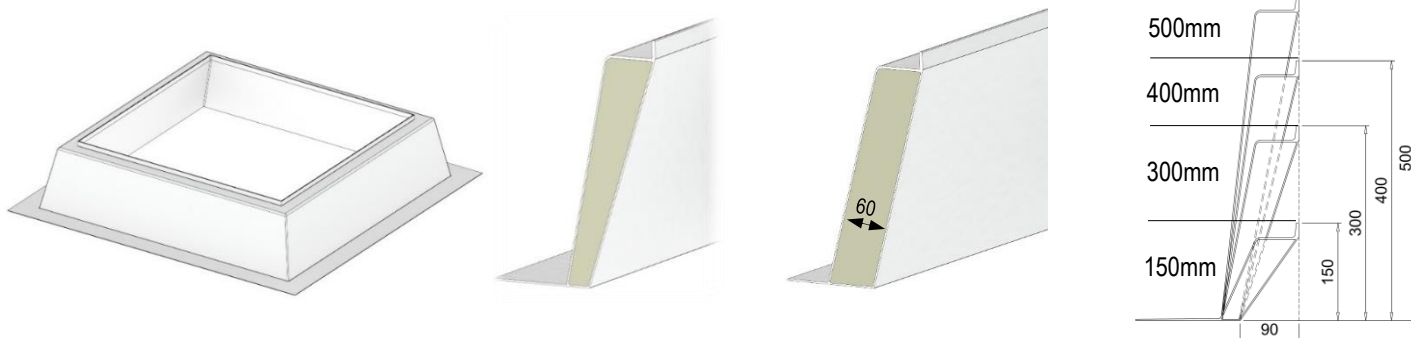


Upstand.

Upstand is delivered pre-assembled to the upper part for quick and easy site installation.

Standard upstand in a choice of heights: 150mm / 300mm / 400mm / 500mm.

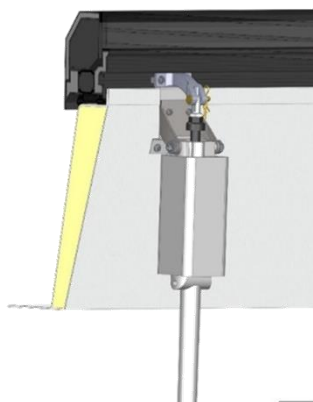
700mm high upstand also available in sizes: 900/900, 900/1200, 1200/1200, 1500/1500, 1800/1800 and 1500/2500.



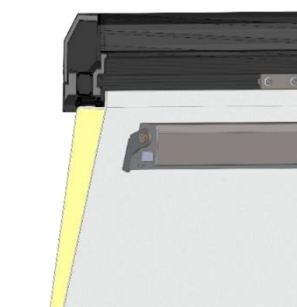
Note: For bespoke sizes the upper part will be supplied with a fit adapter, instead of an upstand, to fix to site supplied upstand.

Ventilation details.

Spindle opener



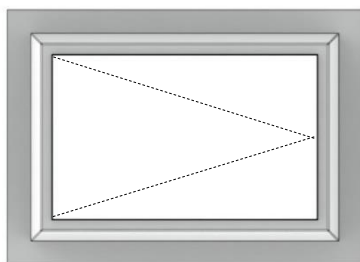
Chain drive (visible)



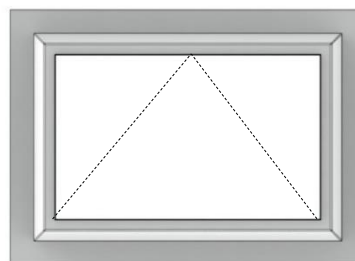
Chain drive (concealed)



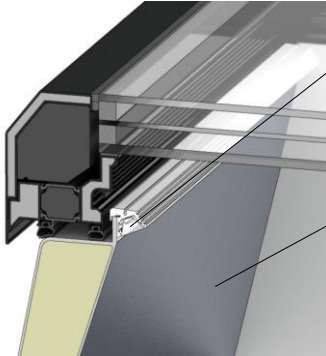
Hinged as standard on the short side



Optional on the long side



Lighting options.



LAMILUX PRISM LED strip fixed on the upper upstand point

- Excellent design with slim LED light strips
- Flicker-free light dimming
- Extremely low heat generation of the artificial light
- Low energy consumption

LAMILUX REFLECTIVE lining on the inside of the upstand

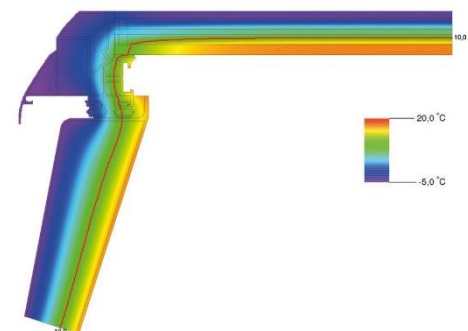
- Increasing the light transmission up to 50% by the protected principle of the lining with high reflective aluminium reflector material
- Up to 33% saving for artificial light energy
- High quality inside optic

Performance.

For full product performance specification available on request.

- CE marked quality according to EN 1873.
- Life Cycle Assessment (LCA) to EN 15804.
- Airtight to Class 4, EN 12207.
- Water tightness to Class 4 according to BS EN 12208.
- Wind Load to Class C4, EN 12210.
- CWCT Class 2 Non-fragile
- Thermally broken: 10° isothermal line remains within the structure (see diagram)

Isothermal line diagram



Delivery, packing and storage.

All deliveries, unless otherwise agreed in writing, are by road transport and subject to our standard delivery terms, which are available within the document: 'Company overview and standard delivery and installation terms.' Off-loading is the responsibility of the buyer. Details of packing and safe storage are also included in this document.

Interface and fitting.

Installation service, available on request. Subject to our standard installation terms, which are available within the document: 'Company overview and standard delivery and installation terms.' Installation guide available, please contact LAMILUX UK. Flat roofing membrane or roof covering to be sealed up the upstand by others to complete the weathertight assembly. Please call to discuss contract/site specific install requirements.