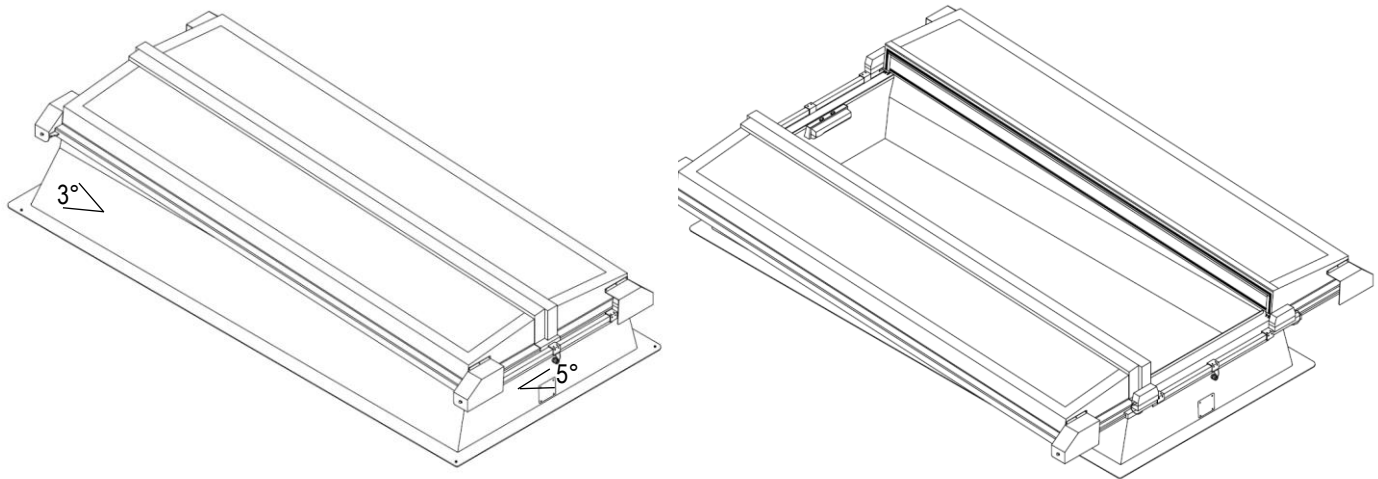


LAMILUX Flat Roof Access Duo.



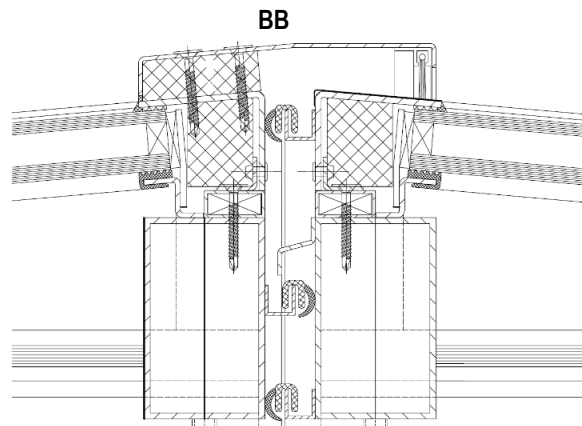
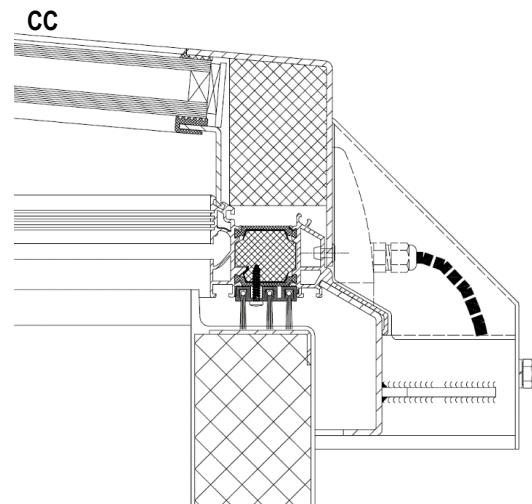
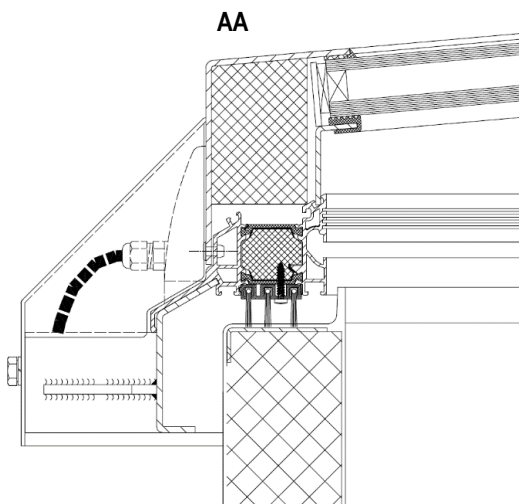
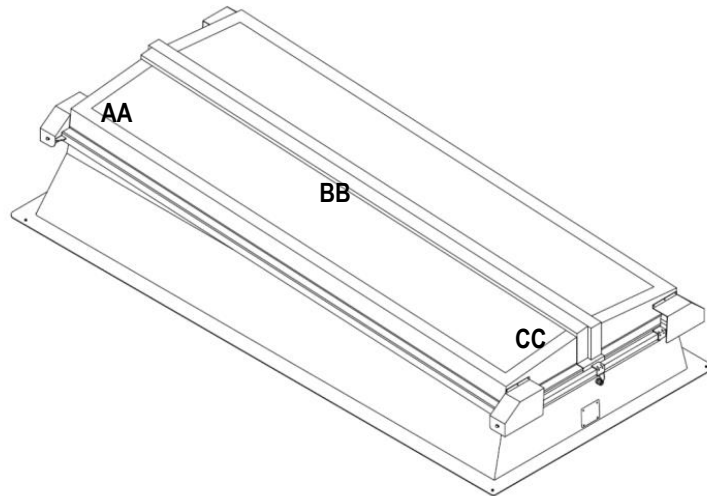
The Flat Roof Access Duo is the 2-leaf horizontally opening roof access hatch, measuring 1200x3000mm, which is suitable as a roof access for stairs. The 3° inclined 400mm – 550mm high upstand height, and the 5° surface inclination ensures excellent natural water and dirt drainage. The motorised opening Roof Access Hatch benefits from enhanced isothermal characteristics in the overall construction – this results in no condensation whilst achieving maximum energy efficiency and thermal insulation alongside excellent air tightness values.

Technical info.

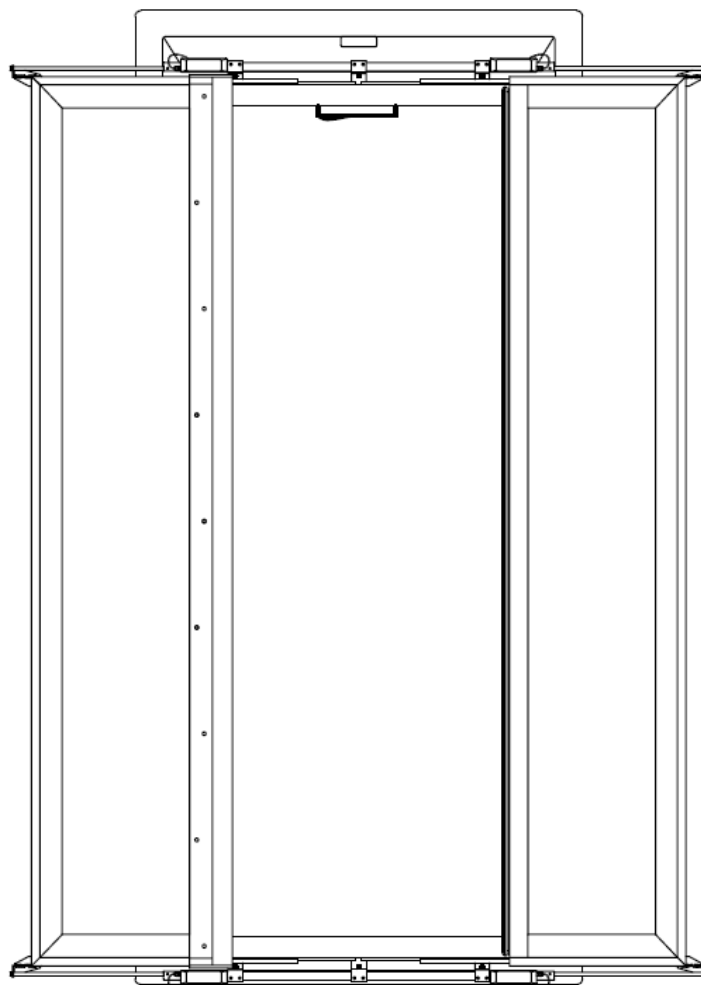
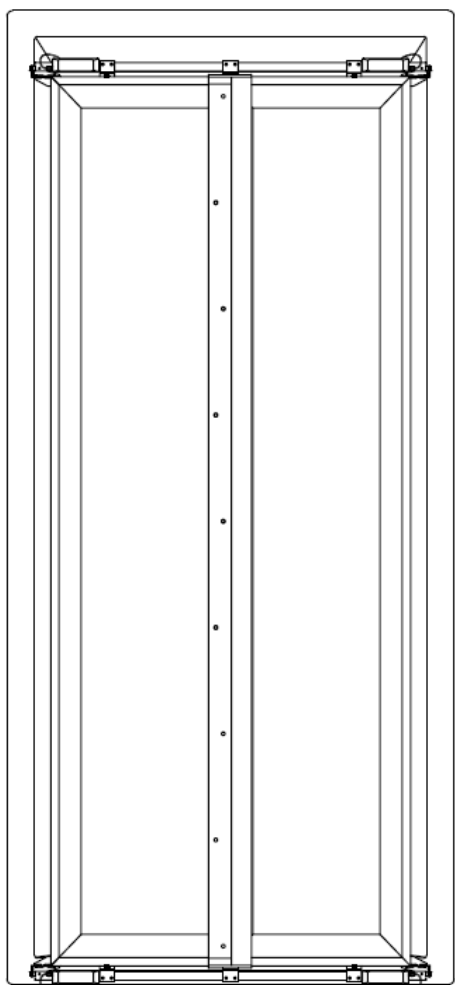
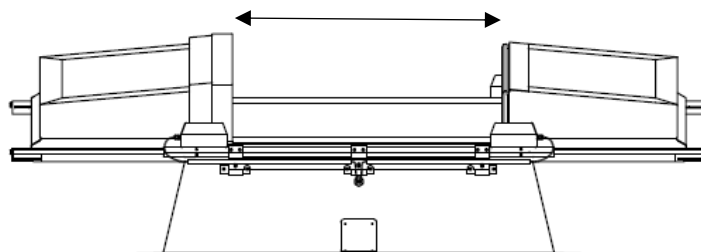
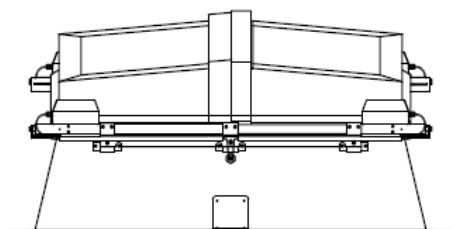
- Continuous ventilation for both flaps with pushbutton
- Closing edge protection via sensor
- Four 24 V linear drives, weatherproof, incl. control unit
- Current consumption of motors 1A per motor

Type	Structural roof opening size	Internal dimensions	Opening dimension (opened on both sides)	Weight	Light transmission	Total energy transmittance	Sound insulation value $R_{w,p}$	Ug-Value
Double glazed – standard	1200 x 3000mm	1020 x 2820mm	960 x 2820mm	280 kg	80%	0.62	C. 38dB	1.1 (W/m ² k)
Double glazed – sun protection	1200 x 3000mm	1020 x 2820mm	960 x 2820mm	280 kg	54%	0.59	C. 38dB	1.1 (W/m ² k)

Detailed sections.



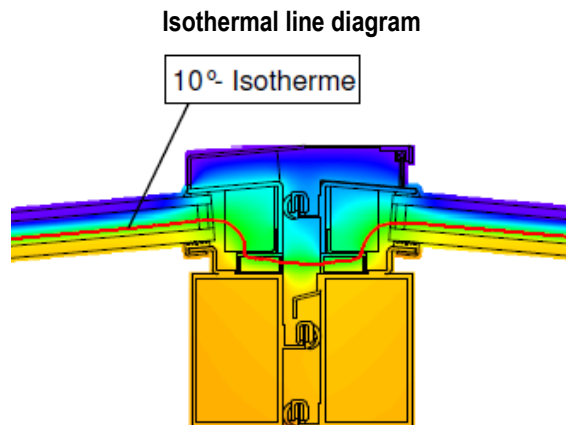
Top view and side view.



Performance.

For full product performance specification available on request.

- CE marked quality according to EN 1873.
- Life Cycle Assessment (LCA) to EN 15804.
- Airtight to Class 4, EN 12207.
- Water tightness to Class 4 according to BS EN 12208.
- Wind Load to Class C4, EN 12210.
- CWCT Class 2 Non-fragile
- Thermally broken: 10° isothermal line remains within the structure (see diagram)



Delivery, packing and storage.

All deliveries, unless otherwise agreed in writing, are by road transport and subject to our standard delivery terms, which are available within the document: 'Company overview and standard delivery and installation terms.' Off-loading is the responsibility of the buyer. A crane will be required (provided by customer) to lift the unit onto the roof. Details of packing and safe storage are also included in this document.

Interface and fitting.

Installation service, available on request. Subject to our standard installation terms, which are available within the document: 'Company overview and standard delivery and installation terms.' Installation guide available, please contact LAMILUX UK. Flat roofing membrane or roof covering to be sealed up the upstand by others to complete the weathertight assembly. Please call to discuss contract/site specific install requirements.