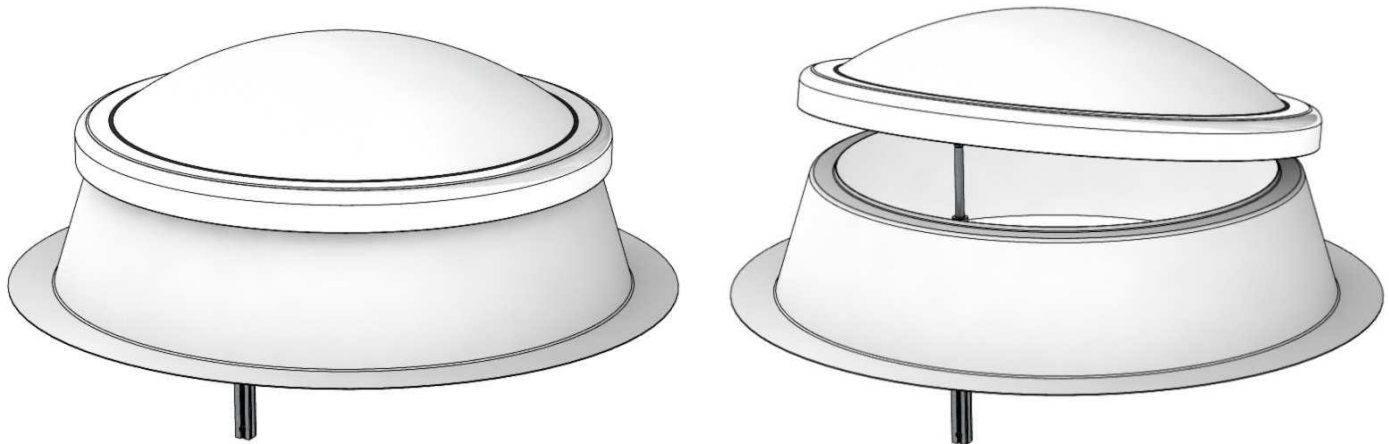


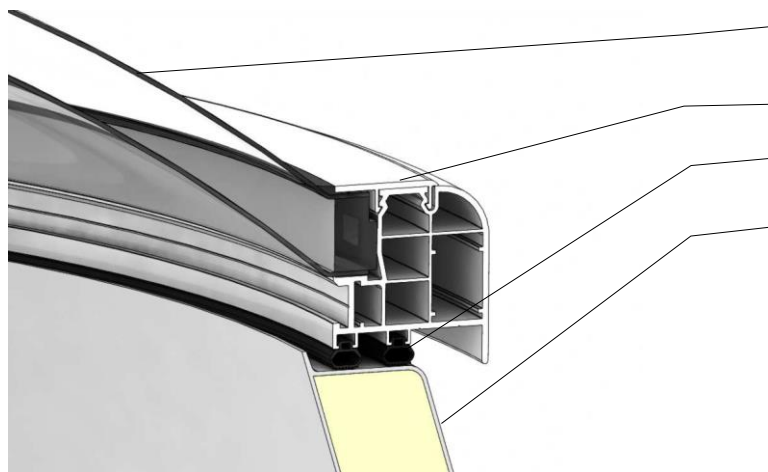
# LAMILUX Rooflight Circular F100.

Technical data sheet.



The domed Rooflight F100 Circular offers a classic, cost effective design without compromising on the high levels of wind and rain resistance and enhanced isothermal characteristics you expect with all LAMILUX products. Suitable for natural daylight and daily ventilation, the Rooflight F100 Circular is delivered pre-assembled to its GRP upstand for simple installation on site -making the dome an ideal addition for flat roof commercial or industrial building projects, and particularly popular with School new build projects.

## Materials.



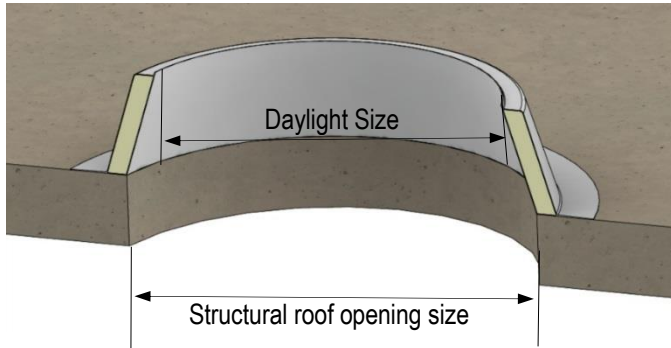
Glazing: Impact resistant polyethylene (PETG) domed glazing

Frame: Thermally broken White PVC (RAL 9016)

Multi layered airtight double sealing system

Upstand: Thermally insulated GRP with seamless silk-white interior finish (RAL 9016)

## Dimensions.



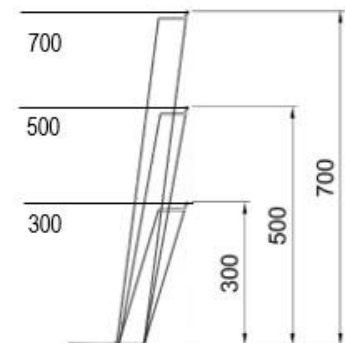
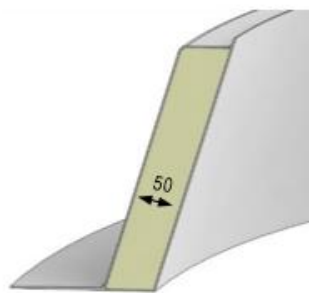
Available structural roof opening sizes (mm) Ø	Daylight size (mm) Ø
600	540
800	620
900	720
1000	820
1200	1020
1500	1320
1800	1620

## Weights.

Structural roof opening size (mm) Ø	Upper part		Upstand		
	Double glazed	Triple glazed	300mm	500mm	700mm
600	c. 6 kg	c. 7 kg	c. 9 kg	c. 13 kg	c. 18 kg
800	c. 8 kg	c. 10 kg	c. 11 kg	c. 16 kg	c. 20 kg
900	c. 10 kg	c. 12 kg	c. 13 kg	c. 17 kg	c. 23 kg
1000	c. 11 kg	c. 14 kg	c. 14 kg	c. 19 kg	c. 25 kg
1200	c. 15 kg	c. 19 kg	c. 16 kg	c. 22 kg	c. 30 kg
1500	c. 22 kg	c. 28 kg	c. 20 kg	c. 27 kg	c. 37 kg
1800	c. 38 kg	c. 47 kg	c. 25 kg	c. 33 kg	c. 46 kg

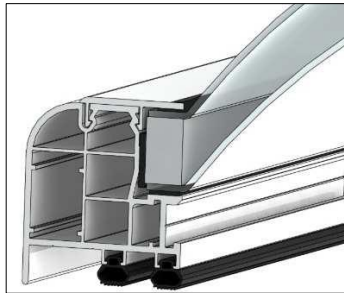
## Upstand.

Upstand is delivered pre-assembled to the upper part for quick and easy site installation.  
Standard upstand in a choice of heights: 300mm / 500mm / 700mm.



## Upper part.

Glazing: Impact resistant polyethylene (PETG) domed glazing is available as clear or opal.



Double glazed  
Ut approx. 2.6 W/m<sup>2</sup>K



Triple glazed  
Ut approx. 1.8 W/m<sup>2</sup>K

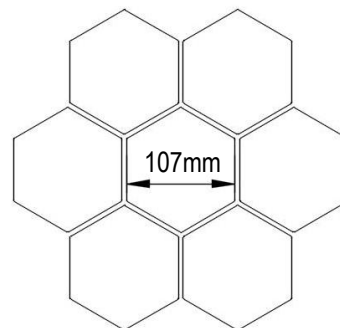
Type	Glazing outside	Glazing centre	Glazing inside	Light Transmission	Total energy transmittance	Sound insulation value Rw,p	U-Value for the overall product (W/m <sup>2</sup> K)*
Double glazed - standard	opal	-	clear	66%	0.66	24dB	1.5
	clear	-	clear	77%	0.77	24dB	1.5
Triple glazed - standard	opal	clear	clear	62%	0.62	24dB	1.1
	clear	clear	clear	73%	0.73	24dB	1.1

\* U-values vary on chosen upstand height. The above calculations are based on a 1200mm Ø rooflight with 300mm high upstand. Please contact us for specific U-Values.

## Fall through proof grill (optional.)



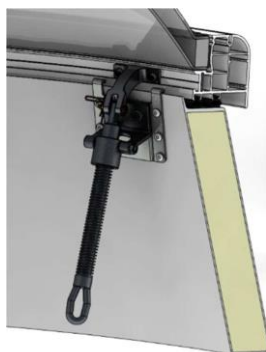
Top pattern view



## Ventilation details.

### Manual opener

Available for sizes 600, 800, 1000 & 1200



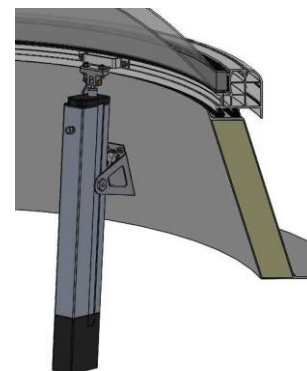
### Spindle opener 24v

Tandem motor required for 1800mm Ø  
 Sizes up to 900mm Ø: 300mm stroke  
 Sizes 1000mm Ø and larger: 500mm stroke



### Spindle opener 230v

Available for sizes up to 1500mm Ø  
 300mm stroke

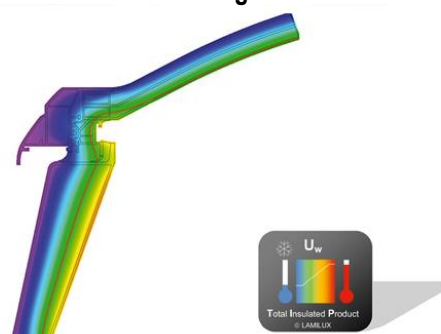


## Performance.

For full product performance specification available on request.

- CE marked quality according to EN 1873.
- Life Cycle Assessment (LCA) to EN 15804.
- Wind Load to Class C4, EN 12210.
- ACR[M] Class B Non-fragile
- Thermally broken: 10° isothermal line remains within the structure (see diagram)

### Isothermal line diagram



## Delivery, packing and storage.

All deliveries, unless otherwise agreed in writing, are by road transport and subject to our standard delivery terms, which are available within the document: 'Company overview and standard delivery and installation terms.' Off-loading is the responsibility of the buyer. Details of packing and safe storage are also included in this document.

## Interface and fitting.

Installation service, available on request. Subject to our standard installation terms, which are available within the document: 'Company overview and standard delivery and installation terms.' Installation guide available, please contact LAMILUX UK. Flat roofing membrane or roof covering to be sealed up the upstand by others to complete the weathertight assembly. Please call to discuss contract/site specific install requirements.