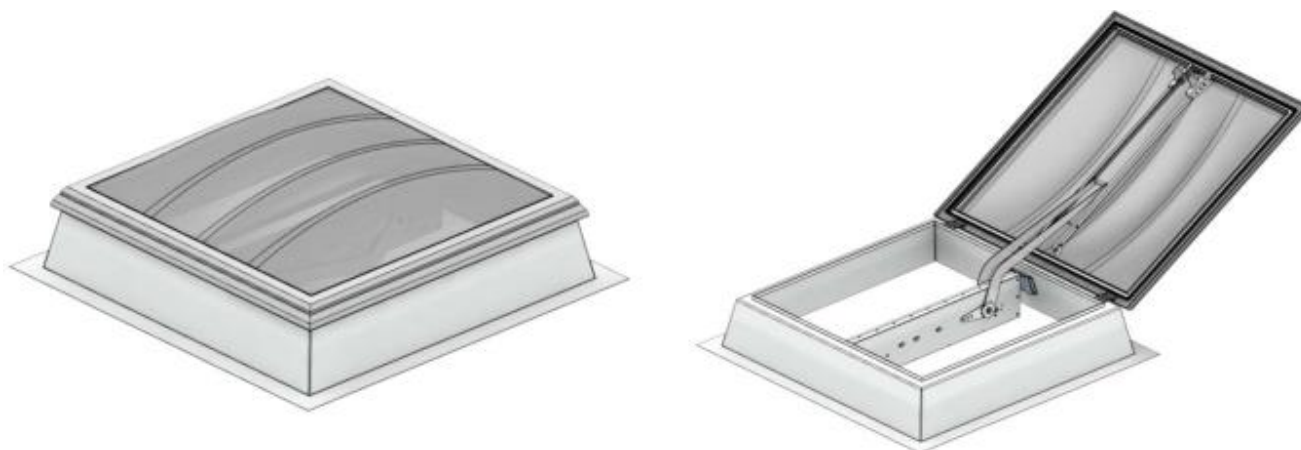


LAMILUX Smoke Lift Rooflight F100 W.

Technical data sheet.



The Smoke Lift Rooflight F100 W combines all the advantages of the Rooflight F100 W with the safety features of an EN 12101-2 certified electrical smoke and heat exhaust ventilator. It is suitable for flat roof residential and administrative or school building projects and achieves high levels of wind and rain resistance, excellent air tightness and thermal insulation values. In addition, the Rooflight F100 W AOV offers snow load certification (SL) from 500 – 2400 dependent on glazing and with multi stage ventilation fitted as standard, it provides safety in the event of a fire, and comfort for everyday use.

Ventilation function.

A SHEV control system is required to operate the ventilation function. If this option is required, please request this prior to ordering and contact LAMILUX for operation details. The ventilation function has 2 opening positions; stage 1 (opening angle approx. 15°) and stage 2: (opening angle approx. 30°) Monitoring by wind and rain detectors is possible.

Technical data.

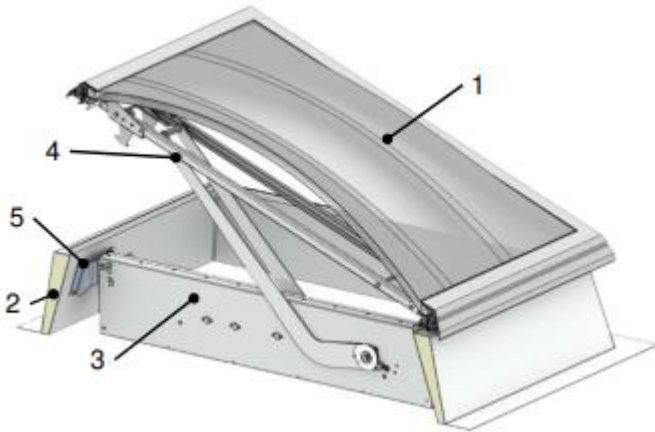
- Opening angles: SHEVS: 165° +/-5°
- Opening angles: Ventilation: 15° and 30°
- Opening time SHEVS: < 60 seconds
- Operating temperature: -15°C - 75°C
- Operating voltage: 24v / 7.5A
- Colour (Motor): As standard supplied mill-finish galvanised: powder coating to a standard RAL colour upon request
- Reliability: RE 1,000 SHEV cycles / 10,000 natural ventilation cycles

Operating voltage:

- Solo version: 1x 24vDC / 7.5 Amp motor (min. 8 Amp control panel needed)
- Tandem version: 2x 24vDC / 7.5 Amp motors (min. 15 Amp control panel needed)

Note: Control panels must be compliant with EN 12101 parts 9 & 10, and must either be added to your order, or procured elsewhere.

Materials.

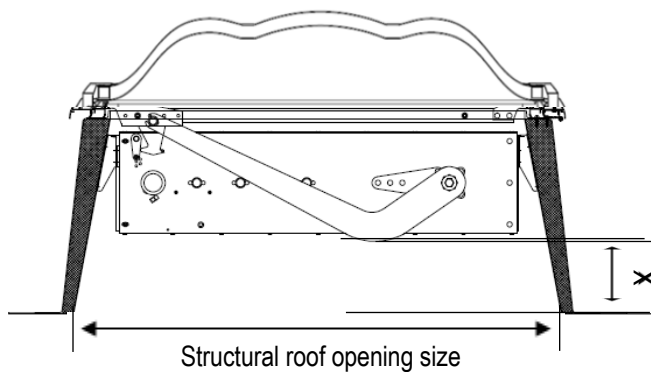


1. Glazing: Polycarbonate shell structured domed glazing
2. Steep upstand: Thermally insulated GRP with seamless silk-white interior finish (RAL 9016)
3. EN12101-2 certified SHEV actuator
4. Actuator Upper Traverse
5. Frame: Thermally broken white PVC (RAL 9016)

Dimensions and Aerodynamic free area values.

For installation inclinations from 0 ° to 25 °

With installation inclinations > 10 °, the hinge side must be arranged on the eaves side



Nominal size (mm)	Dimension X (mm)		
	300mm high upstand	400mm high upstand	500mm high upstand
1000	-25	75	175
1200	-25	75	175
1250	-25	75	175
1400	-25	75	175
1500	-25	75	175
1800	-25	75	175
2000	-25	75	175

Note: Negative value means that there will be an overhang / fixing will stick out.

Available structural roof opening sizes (mm)	Fitting	Afa value (m ²)	Number of waves (steep upstand)
1000 x 1000	solo	0.71	3
1000 x 1500	solo	1.08	4
1000 x 2000	solo	1.44	6
1000 x 2400	solo	1.73	7
1000 x 2500	solo	1.80	7
1000 x 3000	tandem	2.07	9
1200 x 1200	solo	1.02	3
1200 x 1500	solo	1.30	4
1200 x 1800	solo	1.56	5
1200 x 2400	solo	2.10	7
1200 x 2500	solo	2.19	7
1200 x 2700	tandem	2.27	8
1200 x 3000	tandem	2.56	9
1250 x 1250	solo	1.11	3
1250 x 2500	solo	2.28	7
1400 x 1400	solo	1.41	4
1500 x 1500	solo	1.62	4
1500 x 1800	solo	1.97	5
1500 x 2000	solo	2.19	5
1500 x 2100	solo	2.30	6
1500 x 2400	solo	2.63	7
1500 x 2500	solo	2.74	7
1500 x 2700	tandem	2.88	8
1500 x 3000	tandem	3.20	9
1800 x 1800	solo	2.37	5
1800 x 2100	solo	2.76	6
1800 x 2400	solo	3.15	7
1800 x 2500	solo	3.33	7
1800 x 2700	tandem	3.50	8
1800 x 3000	tandem	3.89	9
2000 x 2000	solo	2.92	6

Solo motor:

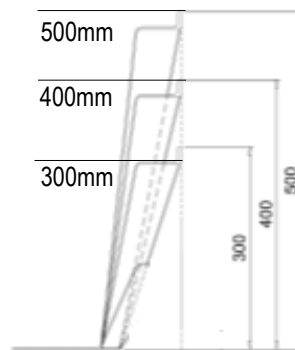
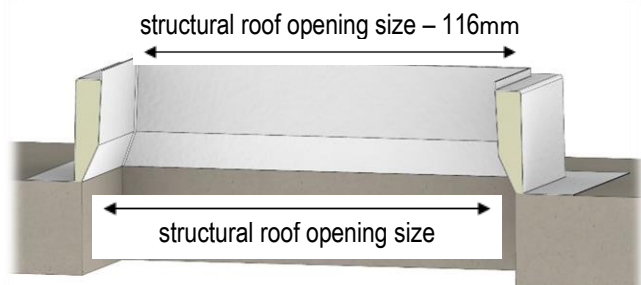


Tandem motor:



Upstand.

Steep upstand designed to increase Aerodynamic free area is delivered pre-assembled to the upper part for quick and easy site installation. Standard upstand in a choice of heights: 300mm / 400mm / 500mm.



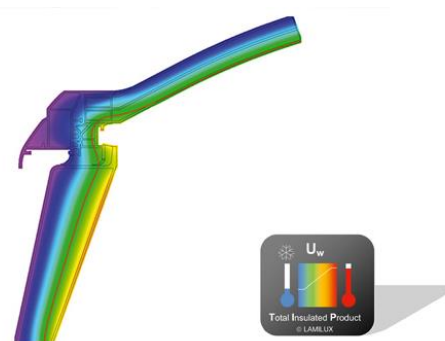
Note for offset motors to allow for access, steep upstand is not available. Please check with Sales office for such requirements.

Performance.

For full product performance specification available on request.

- CE marked quality according to EN 1873.
- Life Cycle Assessment (LCA) to EN 15804.
- Airtight to Class 4, EN 12207.
- Water tightness to Class 4 according to BS EN 12208.
- Wind Load to Class C4, EN 12210.
- Snow load 500-2400
- ACR[M] Class B Non-fragile
- Thermally broken: 10° isothermal line remains within the structure (see diagram)

Isothermal line diagram



Delivery, packing and storage.

All deliveries, unless otherwise agreed in writing, are by road transport and subject to our standard delivery terms, which are available within the document: 'Company overview and standard delivery and installation terms.' Off-loading is the responsibility of the buyer. Details of packing and safe storage are also included in this document.

Interface and fitting.

Installation service, available on request. Subject to our standard installation terms, which are available within the document: 'Company overview and standard delivery and installation terms.' Installation guide available, please contact LAMILUX UK. Flat roofing membrane or roof covering to be sealed up the upstand by others to complete the weathertight assembly. Please call to discuss contract/site specific install requirements.