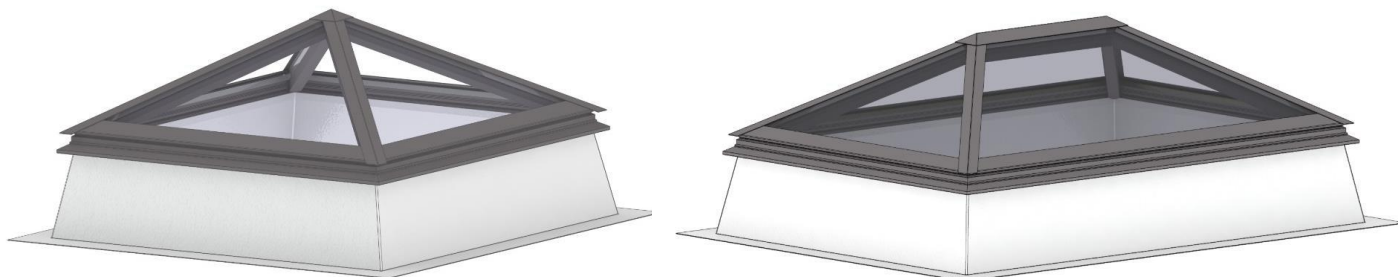


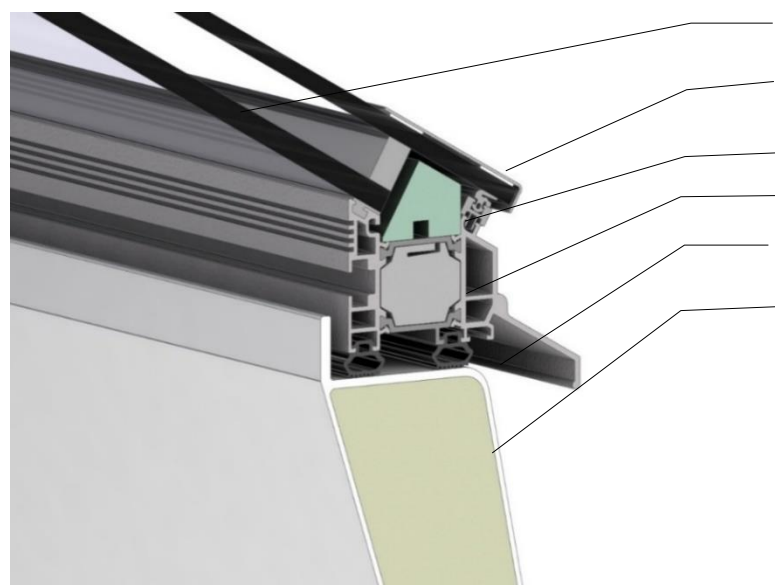
# LAMILUX Glass Skylight FE Pyramid/Hipped.

## Technical data sheet.



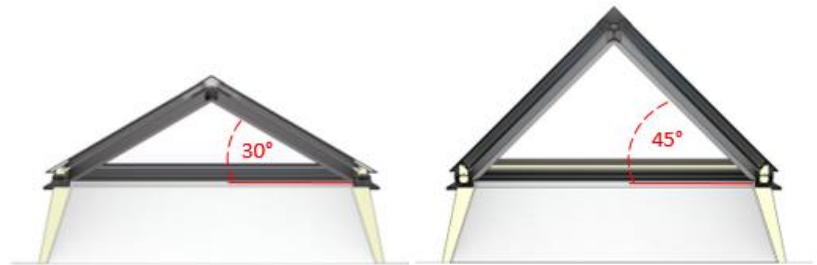
The Glass Skylight FE pyramid or hipped shaped rooflight is available with a choice of a 30° or 45° angle. Featuring high levels of wind and rain resistance and enhanced isothermal characteristics in the overall construction, this range achieves maximum energy efficiency and thermal insulation alongside excellent air tightness values. Suitable for flat roof residential and administrative or school building projects the Glass Skylight FE Pyramid / Hipped is delivered as a fully pre-assembled unit with its GRP upstand, which ensures a quick and easy installation.

## Materials.



- Glazing: Toughened outer and laminated safety inner
- Frame: Thermally broken aluminium frame (your choice of RAL colour)
- Insulation core: Thermally optimised insulation core
- PU foam insulation core
- Multi layered airtight double sealing system
- Upstand: Thermally insulated GRP with seamless silk-white interior finish (RAL 9016)

## Dimensions.

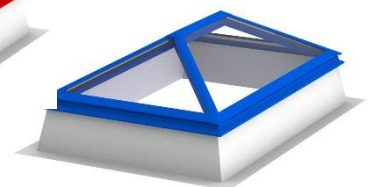
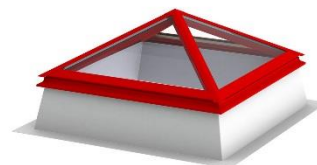


Structural roof opening size (mm)	Upper part 30°		Upper part 45°	
	Double glazed	Triple glazed	Double glazed	Triple glazed
500 x 1000	•	•	•	•
500 x 1500	•	•	•	•
600 x 600	•	•	•	•
600 x 900	•	•	•	•
600 x 1200	•	•	•	•
700 x 1350	•	•	•	•
800 x 800	•	•	•	•
800 x 1500	•	•	•	•
900 x 900	•	•	•	•
900 x 1200	•	•	•	•
900 x 1450	•	•	•	•
1000 x 1000	•	•	•	•
1000 x 1500	•	•	•	•
1000 x 2000	•	•	•	•
1000 x 2400	•	•	•	•
1000 x 2500	•	•	•	•
1000 x 3000	•	•	•	•

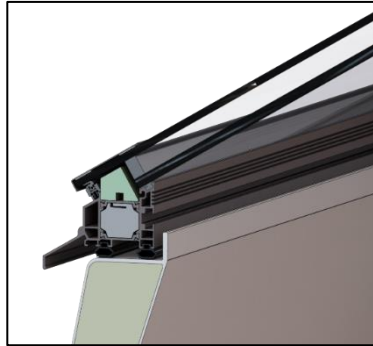
Structural roof opening size (mm)	Upper part 30°		Upper part 45°	
	Double glazed	Triple glazed	Double glazed	Triple glazed
1200 x 1200	•	•	•	•
1200 x 1500	•	•	•	•
1200 x 1800	•	•	•	•
1200 x 2400	•	•	•	•
1200 x 2500	•	•	•	•
1200 x 2700	•	•	•	•
1250 x 1250	•	•	•	•
1250 x 2500	•	•	•	•
1500 x 1500	•	•	•	•
1500 x 1800	•	•	•	•
1500 x 2000	•	•	•	•
1500 x 2100	•	•	•	•
1500 x 2400	•	•	•	•
1500 x 2500	•	•	•	•
1800 x 1800	•	•	•	•
2000 x 2000	•	•	•	•

## Upper part - framework.

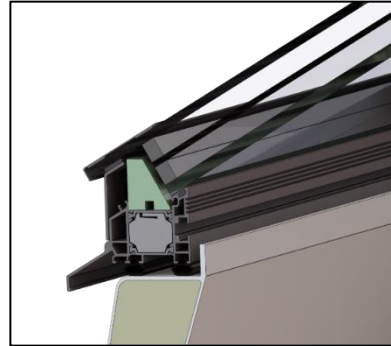
The aluminium framework can be coated in any single RAL colour as standard. Optionally dual powder coating is available if different internal and external finishes are preferred.



## Upper part – glazing.



Double glazed



Triple glazed

Further glazing options are available. Please call us to discuss specific project specification requirements if they are not included in the below table.

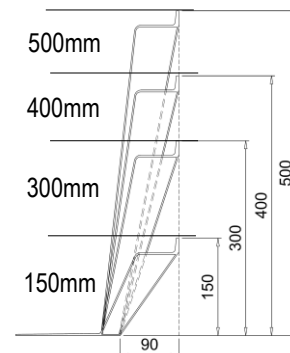
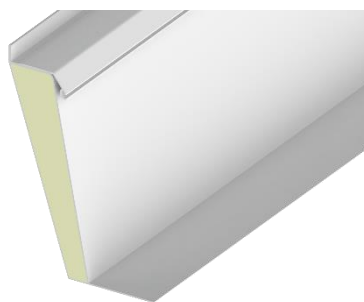
Type	Glass outside (Toughened)	Spacer	Glass Centre	Spacer	Glass inside (Laminated)	Light Trans- mission	Total energy transmittance	Sound insulation value $R_{w,p}$	Ug-Value
Double glazed – standard	6mm	16mm	-	-	8mm	80%	0.62	C. 38dB	1.1 (W/m <sup>2</sup> k)
Double glazed – 60/30 solar control coating	6mm	16mm	-	-	8mm	60%	0.33	C. 38dB	1.1 (W/m <sup>2</sup> k)
Double glazed – bioclean	6mm	16mm	-	-	8mm	75%	0.59	C. 38dB	1.1 (W/m <sup>2</sup> k)
Double glazed – sound insulation	10mm	16mm	-	-	8mm	79%	0.55	C. 45dB	1.1 (W/m <sup>2</sup> k)
Triple glazed - standard	6mm	14mm	4mm	14mm	8mm	72%	0.51	C. 39dB	0.6 (W/m <sup>2</sup> k)
Triple glazed – 60/30 solar control coating	6mm	14mm	4mm	14mm	8mm	55%	0.30	C. 39dB	0.6 (W/m <sup>2</sup> k)
Triple glazed – bioclean	6mm	14mm	4mm	14mm	8mm	68%	0.52	C. 39dB	0.6 (W/m <sup>2</sup> k)

## Upstand.

Upstand is delivered pre-assembled to the upper part for quick and easy site installation. PVC cap flashing on GRP upstand as standard.

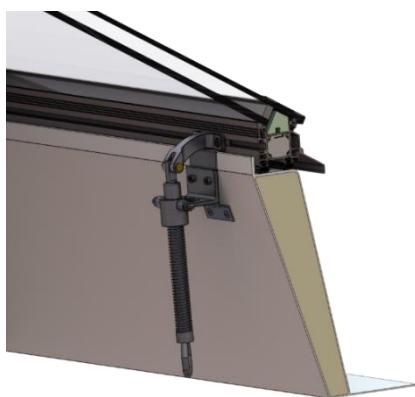
Standard upstand in a choice of heights: 150mm / 300mm / 400mm / 500mm.

700mm high upstand also available in sizes: 900/900, 900/1200, 900/1450, 1000/1000, 1200/1200, 1500/1500, 1800/1800 and 1500/2500.

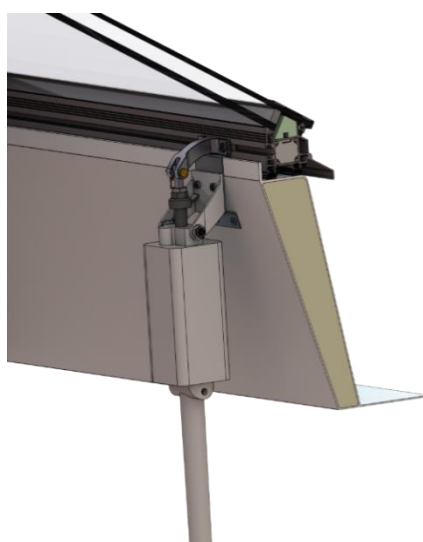


## Ventilation details.

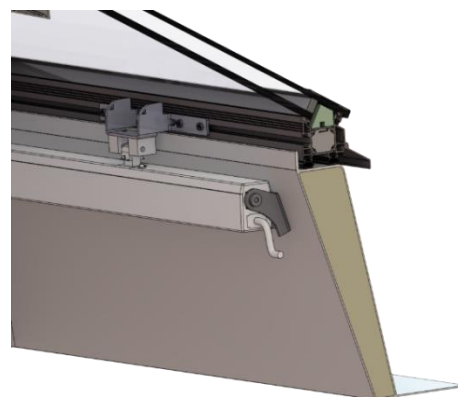
### Manual opener



### Spindle opener 24v / 230v Spindle opener



### Chain drive



## Performance.

For full product performance specification available on request.

- CE marked quality according to EN 1873.
- Life Cycle Assessment (LCA) to EN 15804.
- Airtight to Class 4, EN 12207.
- Water tightness to Class 4 according to BS EN 12208.
- Wind Load to Class C4, EN 12210.
- CWCT Class 2 Non-fragile
- Thermally broken: 10° isothermal line remains within the structure (see diagram)

Isothermal line diagram



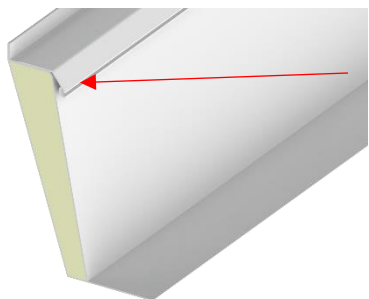
## Delivery, packing and storage.

All deliveries, unless otherwise agreed in writing, are by road transport and subject to our standard delivery terms, which are available within the document: 'Company overview and standard delivery and installation terms.' Off-loading is the responsibility of the buyer. Details of packing and safe storage are also included in this document.

## Interface and fitting.

Installation service, available on request. Subject to our standard installation terms, which are available within the document: 'Company overview and standard delivery and installation terms.' Installation guide available, please contact LAMILUX UK.

Flat roofing membrane or roof covering can be conveniently terminated by others under the drip detail at the top of the upstand to complete the weathertight assembly.



Please call to discuss contract/site specific install requirements.