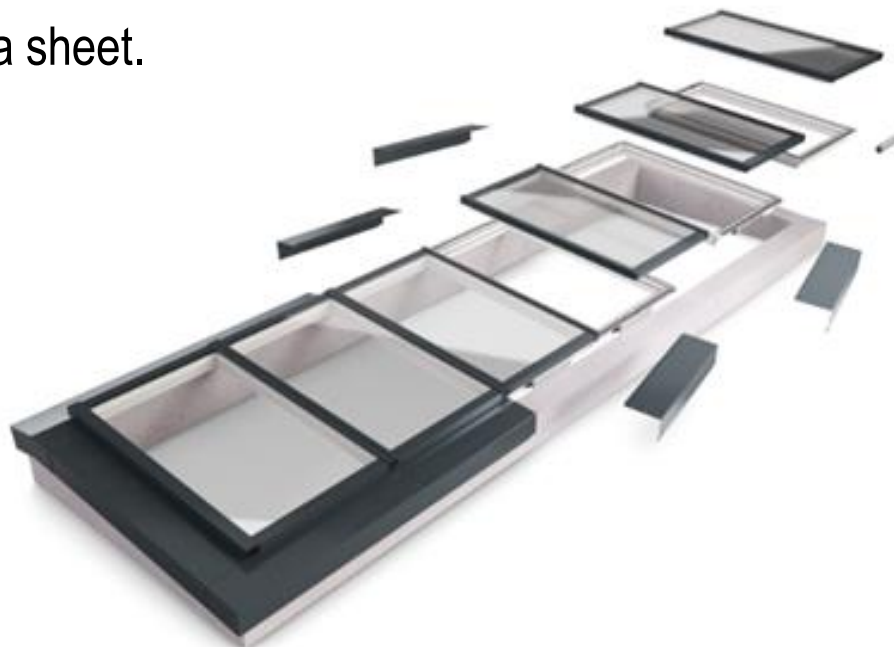


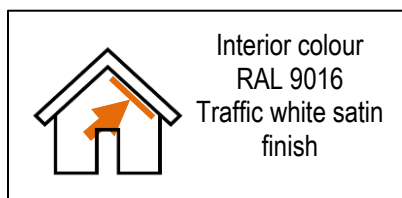
LAMILUX Modular Glass Skylight MS78.

Technical data sheet.



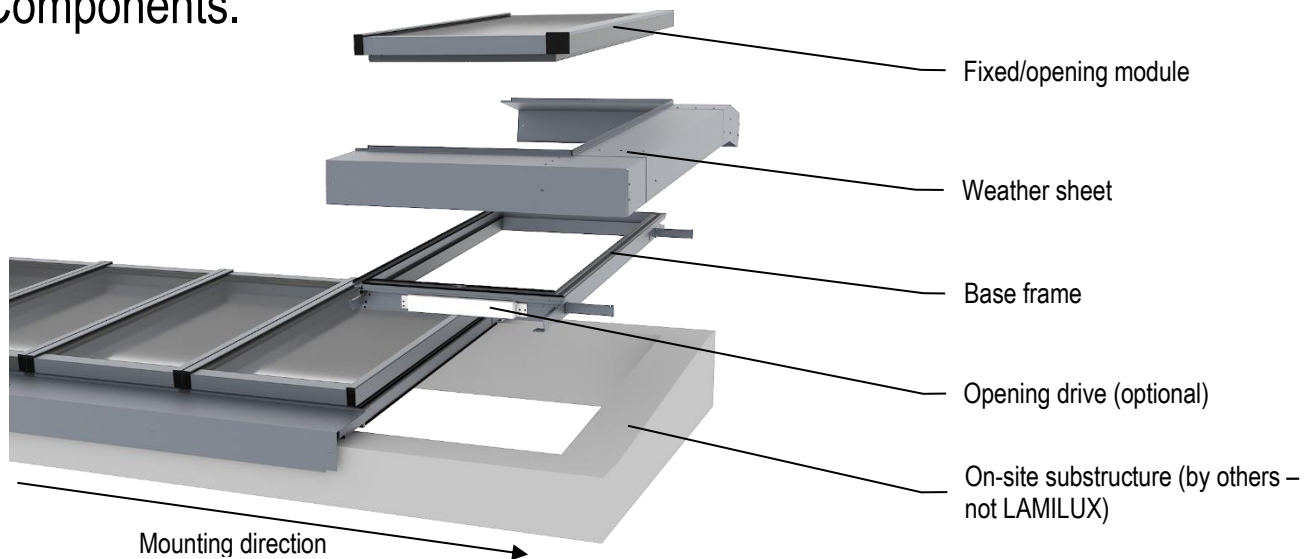
The LAMILUX Modular Glass Skylight MS78 is a thermally broken single tier mono-pitch rooflight that can be configured by forming a row of modules giving both design flexibility and high performance. Offering daylight alongside integrated ventilation modules, the system features a high proportion of glass due to module sizes of up to 1.30m x 3.00m. The pre-glazed paneling system can be mounted directly on load-bearing surfaces which means there is no special concrete, wood or steel upstand requirements, ensuring a simple installation.

- Pitch: Suitable for substructure inclination angles of 5° - 30° pitch inclinations
- Size: Modular skylight sizes vary according to design. Max. module sizes 1.30m x 3.00m. Max. rooflight length up to 20m.
- Each module available fixed or as integrated opening vent for natural ventilation with no restrictions on fixed / opening configurations
- Uniformed appearance of opening vents and fixed elements
- Example weight: c. 60-100kg/m² (subject to module size and glazing type)
- Dual colour as standard:



Coating in RAL colour according to customer's request possible. (note longer delivery times)

Components.



Glazing.

Please contact us to discuss your projects specific glazing requirements.



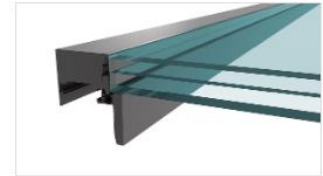
Double glazed – standard



Double glazed - solar control



Triple glazed – standard



Triple glazed - solar control

Type	Glass outside (Toughened)	Spacer	Glass Centre	Spacer	Glass inside (Laminated)	Light Transmission	Total energy transmittance	Sound insulation value $R_{w,p}$	Ug-Value (W/m ² k)
Double glazed – standard	6mm	20	-	-	8mm	80%	0.62	C. 38dB	1.1 (W/m ² k)
Double glazed - solar control coating 60/30	6mm	20	-	-	8mm	60%	0.33	C. 38dB	1.1 (W/m ² k)
Triple glazed - standard	6mm	16	4mm	16	8mm	72%	0.51	C. 39dB	0.6 (W/m ² k)
Triple glazed - solar control coating 60/30	6mm	16	4mm	16	8mm	55%	0.30	C. 39dB	0.6 (W/m ² k)

Values shown above represent the standard configuration and may change depending on loads and pane sizes. The technical values indicated are determined in accordance with the applicable regulations and standards on reference tests and may deviate by up to 5% in individual cases.

Dimensions.

All widths can be combined with all heights.

Two module widths can be selected within one rooflight. Note: both edge modules must be configured with the same module width.

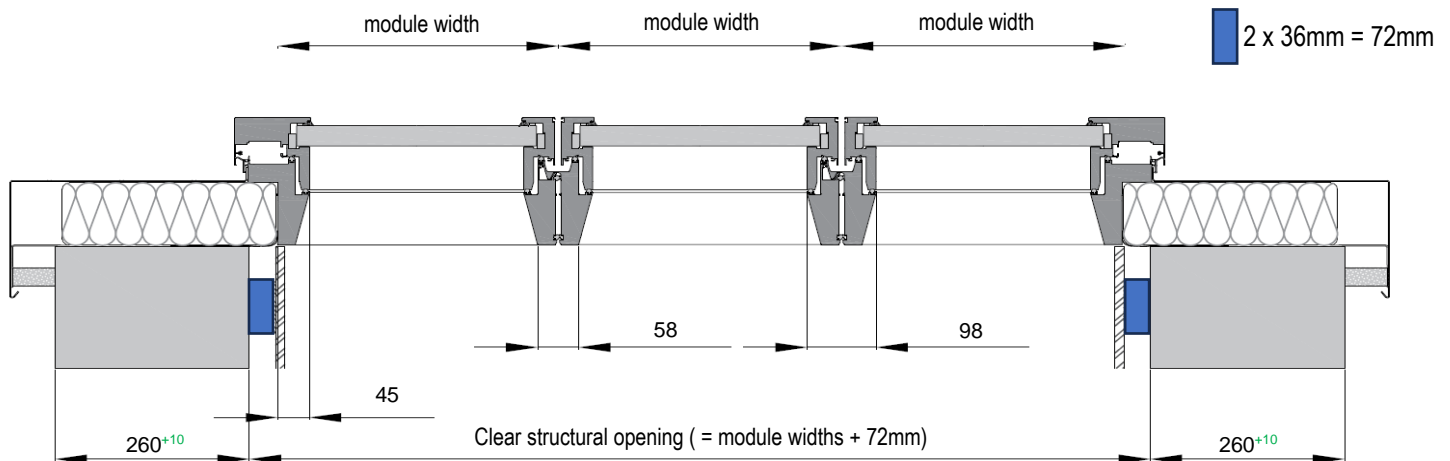
Available module widths.

675mm	750mm
800mm	900mm
1000mm	1100mm
1200mm	1300mm

Available module height.

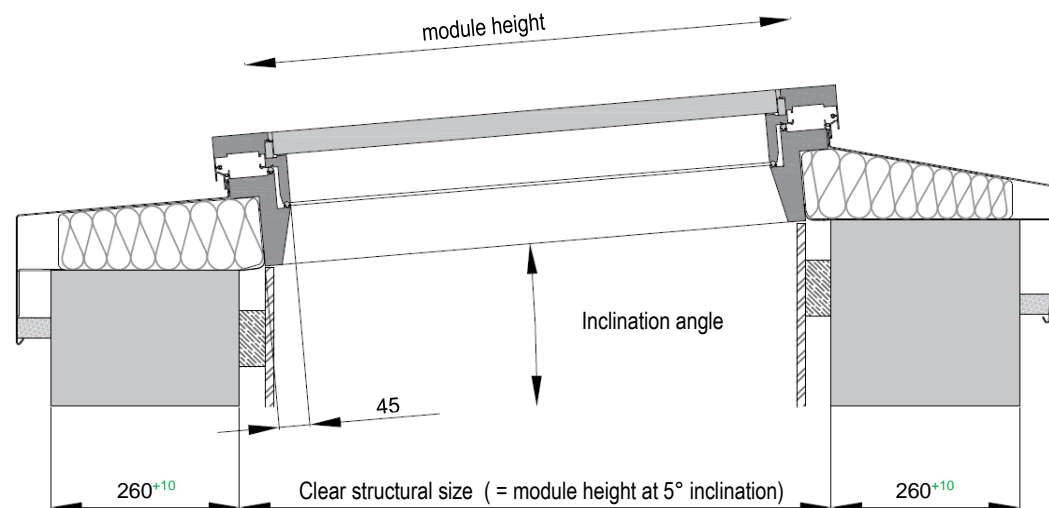
700mm	900mm	1100mm
1300mm	1500mm	1700mm
1900mm	2000mm	2100mm
2300mm	2500mm	2700mm
3000mm		

Section drawings

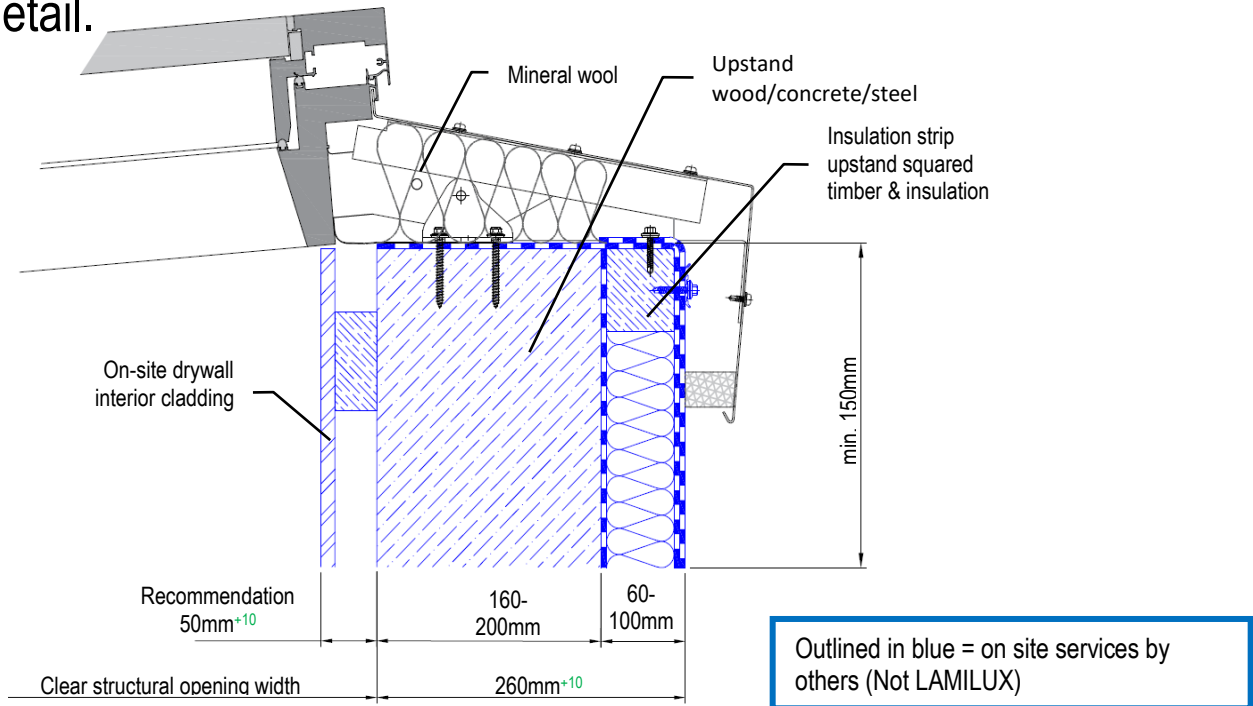


Example:

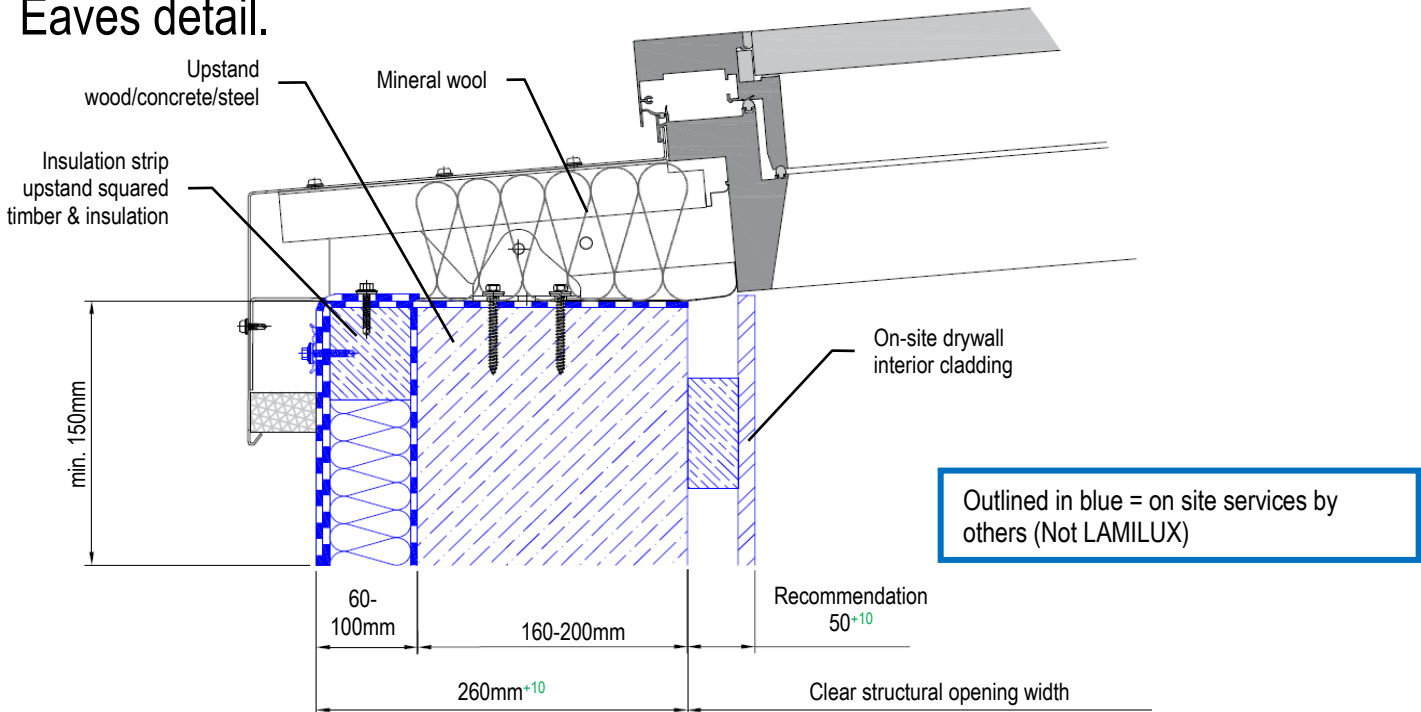
Planned skylight width: approx. 10m. Module combination: 10 x 1000mm. Exact clear structural opening: 10007mm



Ridge detail.



Eaves detail.



The nominal module height corresponds to the clear ceiling opening width at an angle of 5°.

Dependencies on module height.

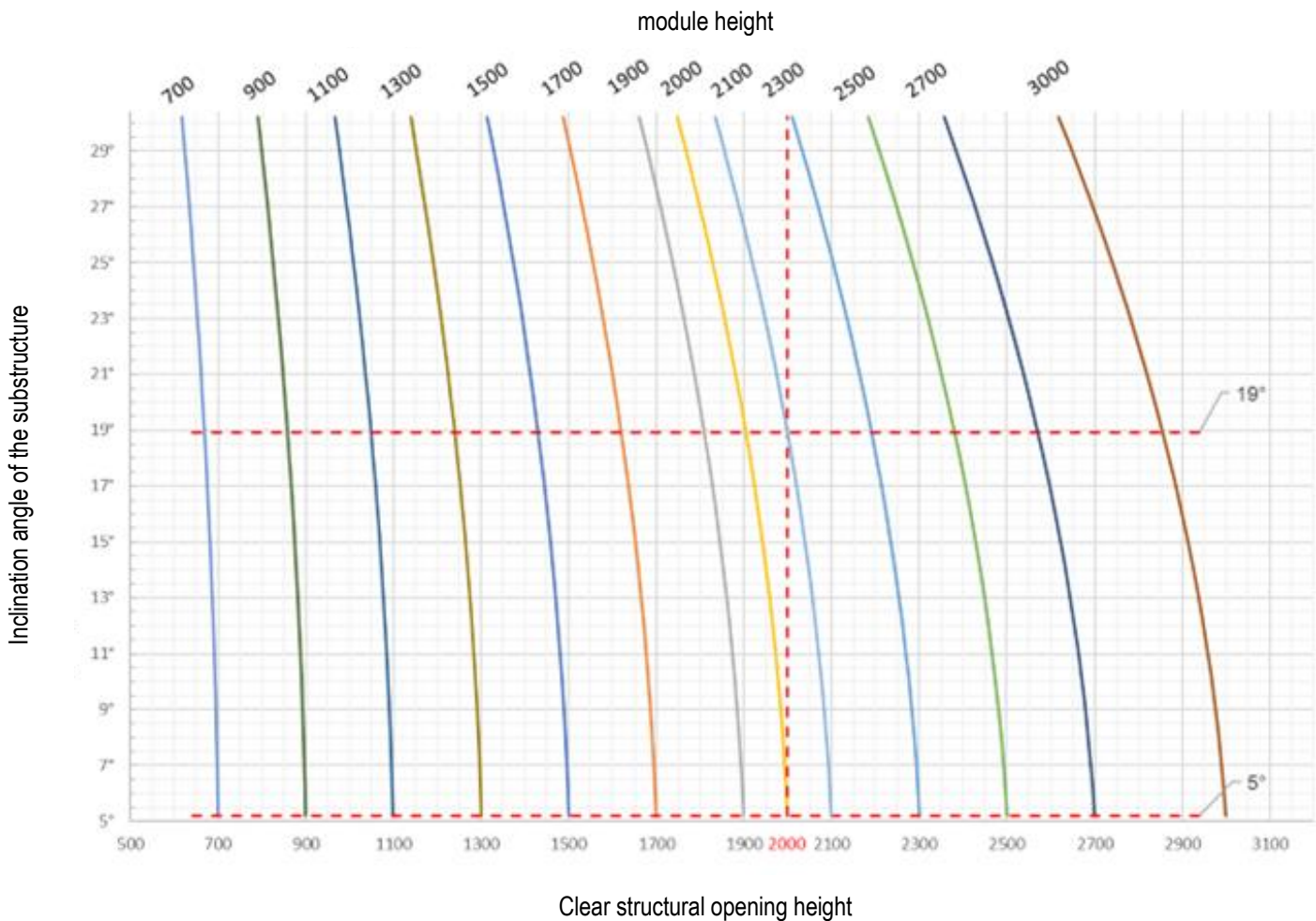
The module height corresponds to the structural ceiling opening at an angle of 5°. With angles ranging up to 30° the module height can vary depending on the inclination angle and the cover aperture width.

Example:

Clear structural opening height = 2.0 m (2000 mm).

The module height is 2000mm with an inclination angle of the substructure at 5°.

The module height is 2100mm with an inclination angle of the substructure at 19°.



MS78 Options.

MS78 Opening Vents.

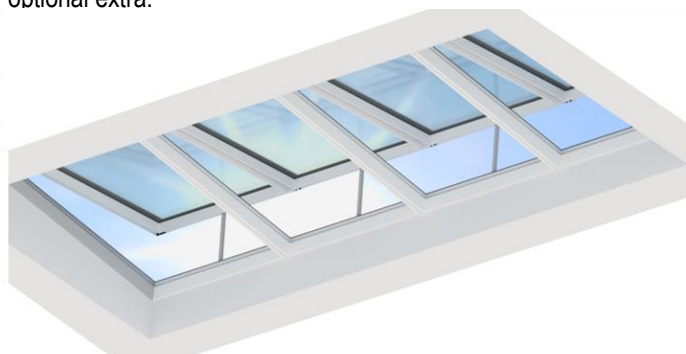
Optionally, the Modular Glass Skylight MS78 can be equipped with as many individual modules opening for daily ventilation as your project requires.



- 230v, 300mm stroke
- Cables concealed in the profile system
- No restrictions on fixed / opening module configurations - removing any requirement for fixed modules in between opening modules
- Integrated in a way that they provide the full ventilation and light area of the supporting profile system
- Uniform appearance of opening vents and fixed elements

Interior roller shading system.

Optionally, the Modular Glass Skylight MS78 can be equipped with a 24V internally mounted roller blind, with integrated power supply unit, for optimum privacy, sun and glare protection. Please contact us to discuss your projects specific shading requirements, as this is an optional extra.



- Reduces glare, solar radiation and heat build-up in the interior
- Flame resistant
- The blind blends seamlessly into the overall appearance of the skylight
- Runs on thin wires and therefore hardly takes up minimal light area when open.
- Available in choice of fabric colours

white

grey

black



Light reflection	82%	43%	48%
Light transmission	15%	1%	9%
Light absorption	3%	46%	43%
UV Transmission	2%	0%	9%
g-total	33%	38%	40%

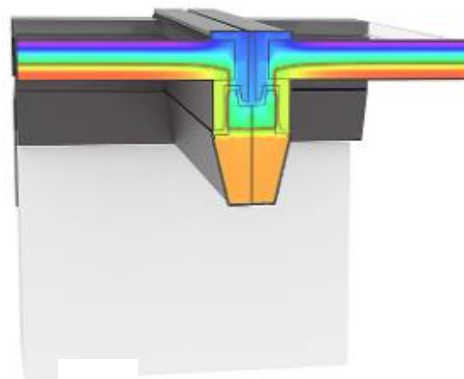
Performance.

For full product performance specification available on request.

- CE marked quality according to EN 1873.
- Life Cycle Assessment (LCA) to EN 15804.
- Typical U-value verification in accordance with EN ISO 10077-1 and 10077-2. System U-value: Double Glazed Thermal transmittance of glazing system: U_g approx. $1.1 \text{ W/m}^2\text{K}$. System heat transfer coefficient U_w : $1.0\text{-}1.5 \text{ W/m}^2\text{K}$ (subject to module size and glazing type)
- Airtight to Class 4, EN 12207*
- Water tightness against driving rain according to BS EN 12208: E1800
- Wind Load to Class C5, EN 12210*
- Thermally broken: 10° isothermal line remains within the structure (see diagram)

*Tested on module size $1\text{m} \times 1.6\text{m}$

Isothermal line diagram



Delivery, packing and storage.

All deliveries, unless otherwise agreed in writing, are by road transport and subject to our standard delivery terms, which are available within the document: 'Company overview and standard delivery and installation terms.' Off-loading is the responsibility of the buyer. A crane will be required (provided by customer) to lift materials onto the roof. Details of packing and safe storage are also included in this document.

Modules will be packed in order of installation. Module 1 will be the far left module.

Interface and fitting.

Specialist installation service subject to our standard installation terms, which are available within the document: 'Company overview and standard delivery and installation terms.' Please call to discuss contract/site specific install requirements.

Mounting direction: From left to right.

Self-aligning module connection with tongue and groove principle ensures:

- Easy assembly
- Self-aligning due to V-groove
- Drainage profile