

LAMILUX Smoke Lift Glass Skylight Passivhaus.

Technical data sheet.



Technical data.

- Opening angles: SHEVS: 165° +/-5°
- Opening angles: Ventilation: 15° and 30°
- Opening time SHEVS: < 60 seconds
- Operating temperature: -15°C - +75°C
- Operating voltage: 24v / 7.5A
- Colour (Motor): As standard supplied mill-finish galvanised: powder coating to a standard RAL colour upon request
- Snow loads from SL 1000 to SL 2000 (dependent on rooflight size and weight)
- Wind Load (WL): 1500
- Reliability: RE 1,000 SHEV cycles / 10,000 natural ventilation cycles

Operating voltage:

- Solo version: 1x 24vDC / 7.5 Amp motor (min. 8 Amp control panel needed)
- Tandem version: 2x 24vDC / 7.5 Amp motors (min. 15 Amp control panel needed)

Note: Control panels must be compliant with EN 12101 parts 9 & 10, and must either be added to your order, or procured elsewhere.

Maximum roof pitch inclination: 10°

The Smoke Lift Glass Skylight FE Passivhaus combines all the advantages of the Glass Skylight FE Passivhaus with the safety features of an EN 12101-2 certified electrical smoke and heat exhaust ventilator. It is suitable for flat roof residential and administrative or school building projects and achieves high levels of wind and rain resistance, excellent air tightness and thermal insulation values and snow loads from SL 1000 to SL 2000. With multi stage ventilation fitted as standard, it provides safety in the event of a fire, and comfort for everyday use.

Installation suitability.

Suitable for roofs from 0° up to a 10° pitch hinged on any chosen side.

If the roof pitch is <5°, request the 5° upstand that has pitch inclination built into the upstand to ensure water run off.

Ventilation function.

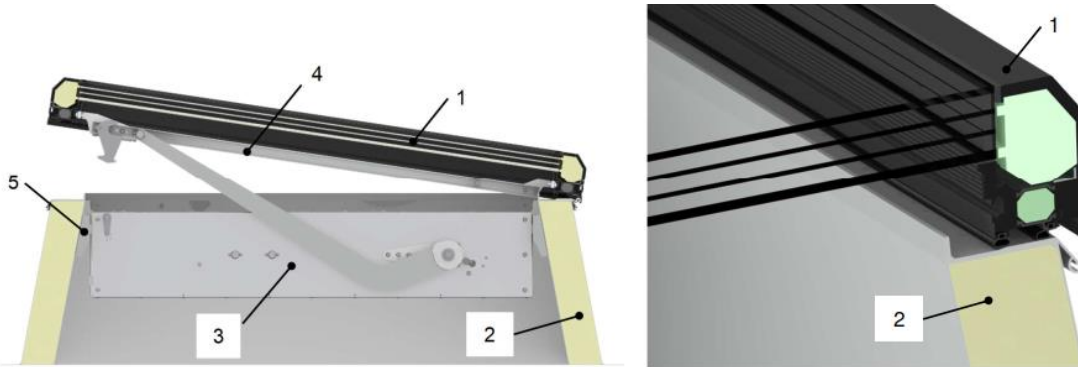
A SHEV control system is required to operate the ventilation function.

If this option is required, please request this prior to ordering and contact LAMILUX UK for operation details. The ventilation function has 2 opening positions; stage 1 (opening angle approx. 15°) and stage 2: (opening angle approx. 30°)

Monitoring by wind and rain detectors is possible.



Materials.



1. Upper part:
 - Frame: Thermally broken aluminium frame (your choice of RAL colour) with PU foam insulation core
 - Glazing: Quadruple glazing as standard with toughened outer and laminated safety inner. (CWCT class 2 non-fragile)
2. Upstand: Thermally insulated 500mm high GRP upstand with seamless silk-white interior finish (RAL 9016)
3. EN12101-2 certified SHEV actuator
4. Upper traverse
5. SHEV upstand plate

Dimensions, aerodynamic values, snow loads and weights.

Available structural roof opening sizes (mm)	Fitting	Afa value (m ²)	SL class (min. value)	Whole unit weight - 500mm upstand version	Whole unit weight - 500mm 5° upstand version
1000 x 1000	solo	0.60	SL 2000	c. 126 kg	c. 132 kg
1000 x 1500*	solo	0.90	SL 1769	c. 164 kg	c. 171 kg
1200 x 1200	solo	0.88	SL 1883	c. 150 kg	c. 157 kg
1200 x 1500*	solo	1.12	SL 1387	c. 174 kg	c. 182 kg
1500 x 1500	solo	1.42	SL 1005	c. 203 kg	c. 211 kg
	tandem	1.35	SL 2000	c. 236 kg	c. 244 kg

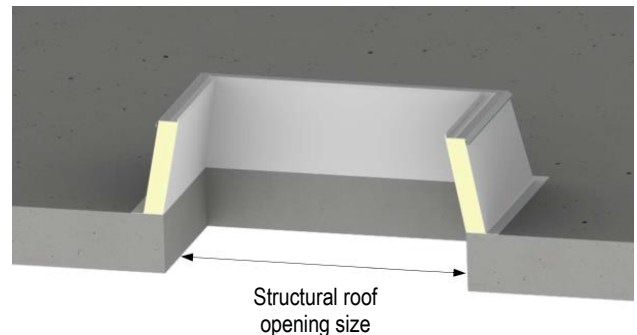
* Hinged on short side

Motors.

Solo motor:



Tandem motor:



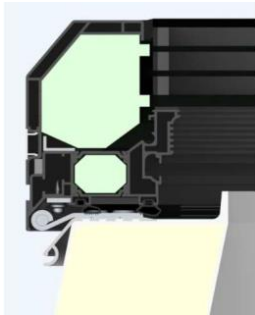
Upper part - framework.

The aluminium framework is coated in any single RAL colour as standard. Optionally dual powder coating is available if different internal and external finishes are preferred (note: longer delivery times and surcharge applicable)



Upper part - glazing.

The LAMILUX Smoke Lift Glass Skylight Passivhaus offers quadruple glazing as standard to fulfil the Passive House efficiency class: pH.C. Further glazing options are available. Please call us to discuss specific project specification requirements if they are not included in the below table.



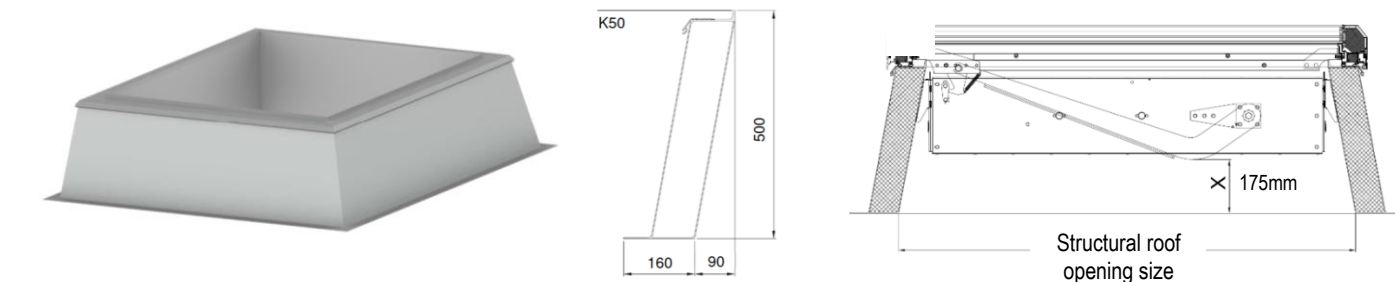
Type	Glass outside (Toughened)	Spacer	Glass centre panes	Spacer	Glass inside (Laminated)	Light Transmission	Total energy transmittance	Sound insulation value $R_{w,p}$	Ug-Value (W/m^2k)
Quadruple glazed clear – standard	6mm	14	2 x 3mm (13mm spacer)	13	8.8mm	66%	0.49	C. 39dB	0.56
Quadruple glazed – 60/30 solar control coating	6mm	14	2 x 3mm (13mm spacer)	13	8.8mm	50%	0.28	C. 39dB	0.56
Quadruple glazed – 50/25 solar control coating	6mm	14	2 x 3mm (13mm spacer)	13	8.8mm	41%	0.23	C. 39dB	0.56
Quadruple glazed – 70/37 solar control coating	6mm	14	2 x 3mm (13mm spacer)	13	8.8mm	57%	0.32	C. 39dB	0.56

The specified thicknesses of the panes and spaces between panes represent the standard configuration and may vary. The specified technical values are determined in accordance with the applicable regulations and standards on reference test specimens and may also vary slightly in individual cases. The data can deviate by up to 5% from the mentioned values.

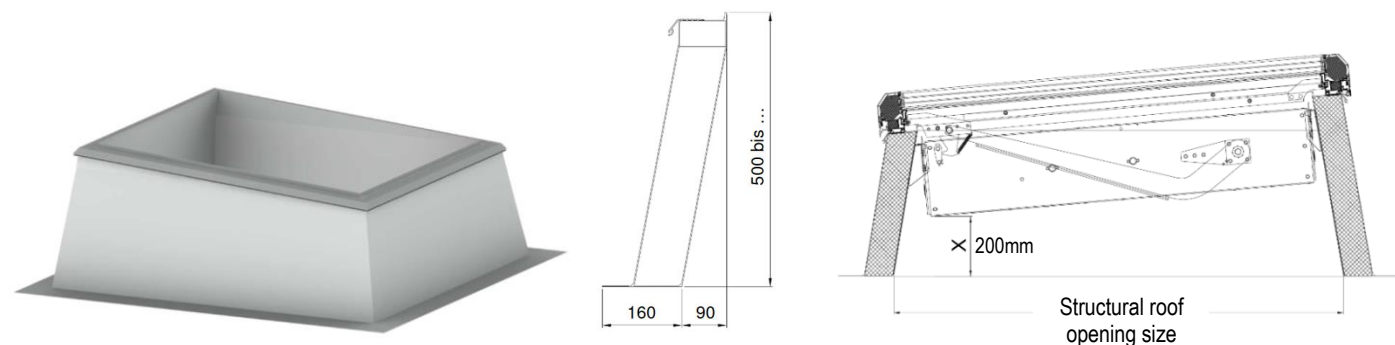
Upstand options.

Upstand is delivered pre-assembled to the upper part for quick and easy site installation with PVC cap flashing included. Standard upstand available in a choice of 500mm high / 500mm high with 5° inclination.

GRP upstand 500mm high - Suitable for roofs from 6° up to 10° pitch



GRP upstand 500mm high with 5° inclination - Suitable for roofs from 0° up to 5° pitch



Performance.

For full product performance specification available on request.

- CE marked quality according to EN 14351.
- Certified to Passive House efficiency class: C
- Comprehensive Environmental Product Declaration (EPD) according to EN 15804, EN ISO 14040 and EN ISO 14044.
- Life Cycle Assessment (LCA) to EN 15804.
- Air permeability to Class 4 according to BS EN 1026.
- Water tightness to Class 4 according to BS EN 12208.
- Wind Load to Class C5, EN 12211.
- CWCT Class 2 Non-fragile
- Thermally broken: 12.6° isothermal line remains within the structure

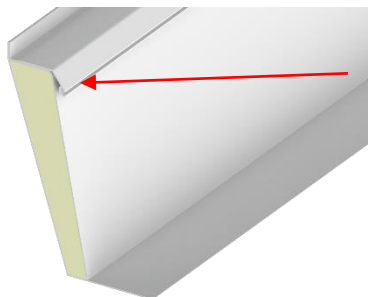
Delivery, packing and storage.

All deliveries, unless otherwise agreed in writing, are by road transport and subject to our standard delivery terms, which are available within the document: 'Company overview and standard delivery and installation terms.' Off-loading is the responsibility of the buyer. Details of packing and safe storage are also included in this document.

Interface and fitting.

Installation service, available on request. Subject to our standard installation terms, which are available within the document: 'Company overview and standard delivery and installation terms.' Installation guide available, please contact LAMILUX UK.

Flat roofing membrane or roof covering can be conveniently terminated by others under the drip detail at the top of the upstand to complete the weathertight assembly.



Please call to discuss contract/site specific install requirements.