

# LAMILUX Fire Rated Glass Roof

## REI 30 or REI 60.

Technical data sheet.



installation onto fire resistance concrete substructure - by others (**not** LAMILUX)

Fire resistance means that in the event of a fire in the building, the component creates a physical barrier that prevents both fire and smoke from escaping for a period of time. The fire test is carried out according to EN 1365-2 with flames from below according to the standard temperature-time curve. The REI 30 is designed to withstand fire and heat for at least 30 minutes whilst the REI 60 offers protection for a full 60 minutes as follows:

- room sealing for smoke and fire
- average heating of the outside below 140 k
- maximum heating of the outside below 180 k
- load bearing capacity during the fire: 1kN.m<sup>2</sup>\*

The LAMILUX Glass Roof Fire Rated range of rooflights are lifesaving solutions that prevent flames from spreading and ensure protection against fire and heat, whilst keeping escape routes clear. Featuring a stable steel structure, this fixed (i.e. non-opening) rooflight can be professionally installed either as a stand-alone option or as a wall abutted rooflight.

\*applies to the fire resistance, not a prescribed value

## Installation suitability.

Type of construction: mono-pitch roof.

Suitable for roofs inclinations from 2° up to 80°.

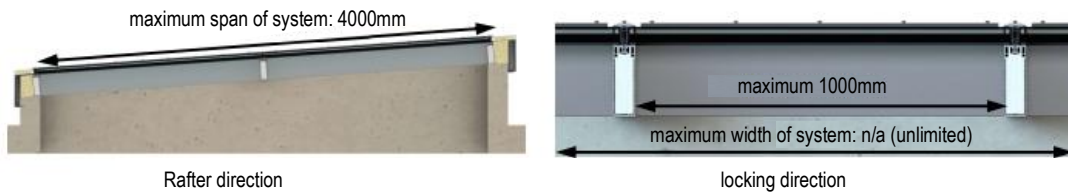
Concrete substructure - by others (**not** LAMILUX), must have the fire resistance class suitable for the fire rating rooflight class specified (i.e. R30 for REI 30 Glass Roof and R60 for REI 60 Glass Roof.)

Substructures made of wood or steel are not technically approved. Please contact the sales office if you would like to discuss this further.

Dimensions. on concrete : according to classification report.

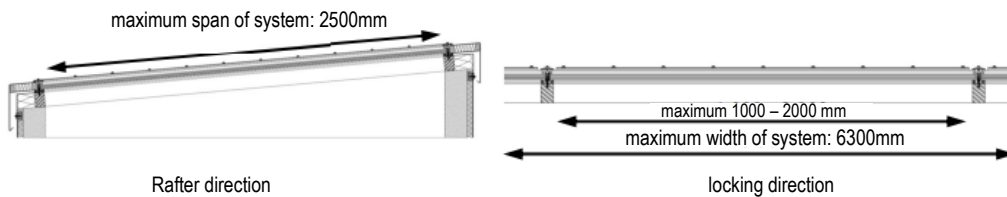
## REI 30

Maximum dimensions: 4000mm x unlimited



## REI 60

Maximum dimensions: 2500mm x 6300mm



\*Largest pane span and largest pane width cannot be combined

## Upper part - framework.

The support system is made of extruded steel profiles (thermally broken) which can be coated in any single RAL colour as standard.





## Upper part - glazing.

The LAMILUX Fire Rated Glass Roof REI 30 / REI 60 offers fire resistant double glazing as standard. Fire resistant triple glazing is available on REI 30 version only.

Further glazing options are available - Please call us to discuss specific project specification requirements if they are not included below.

### REI 30

Minimum glass size: 200mm x 300mm

Maximum glass size: 1030mm (750mm) x 2530mm\*

Type	Glass outside Toughened	Spacer	Glass middle	Spacer	Fire protection on package	Glass inside Laminated	Light Transmission	Total energy transmittance	Sound insulation value Rw,p	Ug-Value Vertical	Ug-Value Horizontal
Double glazed – standard	6mm	16			EI30	8mm	75%	0.57	44 (-3: -7)	1.1 (W/m <sup>2</sup> k)	1.6 (W/m <sup>2</sup> k)
Double glazed – solar control coating 60/32	6mm	16			EI30	8mm	57%	0.33		1.0 (W/m <sup>2</sup> k)	1.6 (W/m <sup>2</sup> k)
Triple glazed – standard	6mm	10	6mm	10	EI30	8mm	67%	0.50	42 (-1: -6)	0.8 (W/m <sup>2</sup> k)	0.9 (W/m <sup>2</sup> k)
Triple glazed – solar control coating 60/32	6mm	10	6mm	10	EI30	8mm	51%	0.30		0.8 (W/m <sup>2</sup> k)	0.9 (W/m <sup>2</sup> k)

### REI 60

Minimum glass size: 200mm x 300mm

Maximum glass size (portrait): 1030mm x 2530mm\*

Maximum glass size (landscape): 2030mm x 1280mm\*

Type	Glass outside (Toughened)	Spacer	Glass inside (Laminated)	Fire protection on package	Light Transmission	Total energy transmittance	Sound insulation value Rw,p	Ug-Value (Vertical)	Ug-Value (Horizontal)
Double glazed – standard	6mm	18	8mm	EI60	74%	0.59	46 (-3: -8)	1.1 (W/m <sup>2</sup> k)	1.6 (W/m <sup>2</sup> k)
Double glazed – solar control coating 60/32	6mm	18	8mm	EI60	55%	0.33		1.0 (W/m <sup>2</sup> k)	1.5 (W/m <sup>2</sup> k)

\*Largest pane span and largest pane width cannot be combined

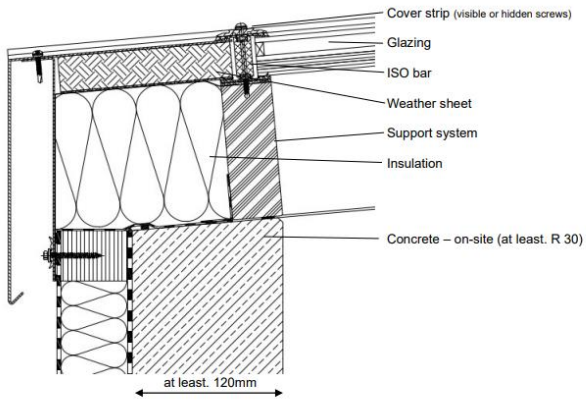
The specified thicknesses of the panes and spaces between panes represent the standard configuration and may vary.

The specified technical values are determined in accordance with the applicable regulations and standards on reference test specimens and may also vary slightly in individual cases. The data can deviate by up to 5% from the mentioned values.

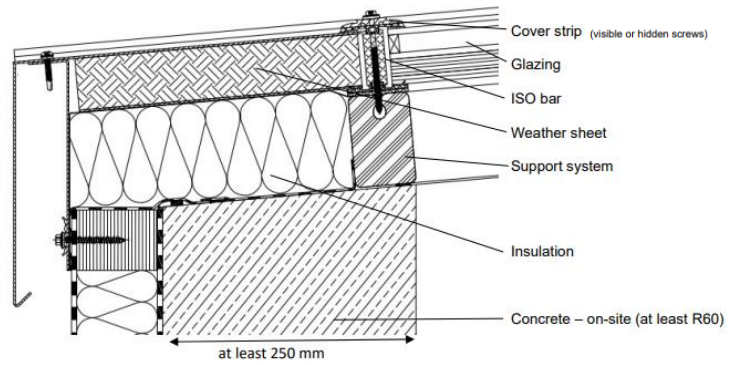


# Installation options.

## REI 30

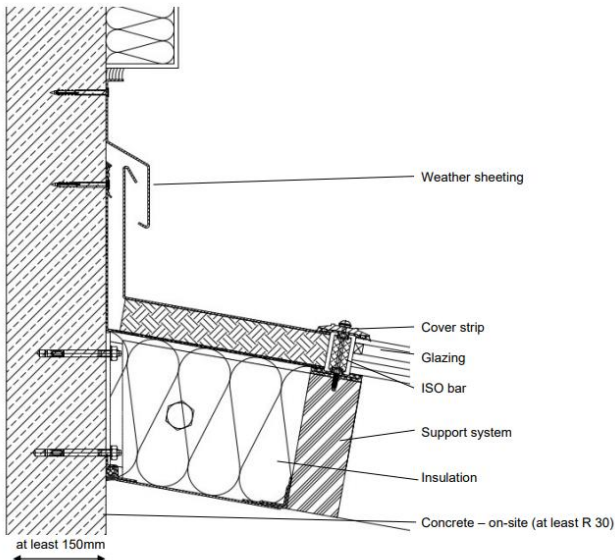


## REI 60

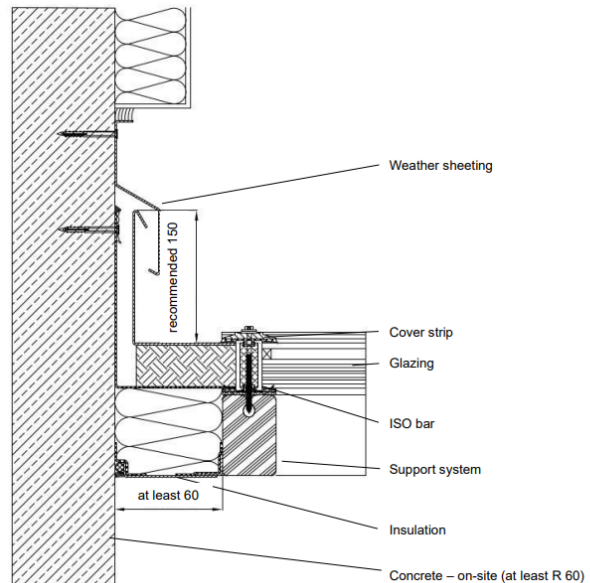


### Wall connection

## REI 30



## REI 60 – rafters parallel to wall





## Performance.

For full product performance specification available on request.

- CE marked quality according to EN 14351.
- Fire resistance REI 30 / REI 60 according to EN13501-2
- Fire behaviour A2 according to EN13830-2003
- Achieves BROOF(t4) classification to EN 13501-5
- Air permeability AE3000 according to EN 12152.
- Water tightness RE1950 according to EN 112154.
- Wind Load 2000Pa according to EN 13116.
- Thermally broken: 10° isothermal line remains within the structure

## Delivery, packing and storage.

All deliveries, unless otherwise agreed in writing, are by road transport and subject to our standard delivery terms, which are available within the document: 'Company overview and standard delivery and installation terms.' Off-loading is the responsibility of the buyer. A crane will be required (provided by customer) to lift materials onto the roof. Details of packing and safe storage are also included in this document.

## Interface and fitting.

Specialist installation service subject to our standard installation terms, which are available within the document: 'Company overview and standard delivery and installation terms.' Please call to discuss contract/site specific install requirements.

