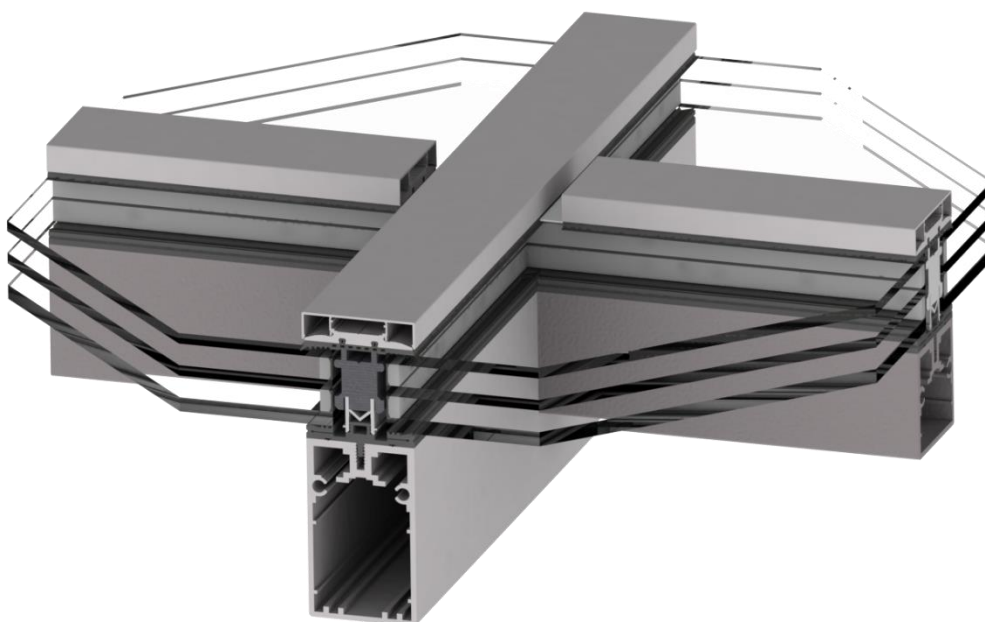


# LAMILUX Glass Roof PR60 and LAMILUX Glass Roof PR60 Passivhaus.

Technical data sheet.



The LAMILUX Glass Roof PR60 features virtually free shaping for atrium glass roof designs from pitches as low as 3° - making it possible to implement more or less any aesthetically pleasing and technically complex daylight construction. With trademark features including an attractive design, coupled with the highest level of airtightness and excellent heat-insulation values, the PR60 boasts exceptionally watertight properties, which guarantees no leaks in extremely high winds & driving rain, and effective soundproofing, which reduces the impact of unwanted noise to the interior. As standard the thermal engineering means it features excellent U-values, moreover, it is also available in a Passivhaus certified version.

- Pitch: available in 3° - 90° pitch inclinations
- Size: Glass Roof sizes vary according to design. Typical glass pane size 1m x 3m. Max. glass pane length 4m.
- Large spanning system with flexible shaping
- Available with integrated opening vents for natural ventilation and SHEV
- Watertight tested on the slope to 1950 Pascals which means it is suitable for shallow pitch inclinations.

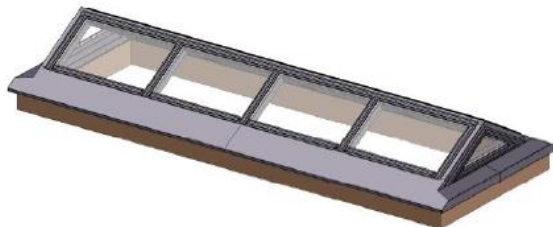
# Installation variants.



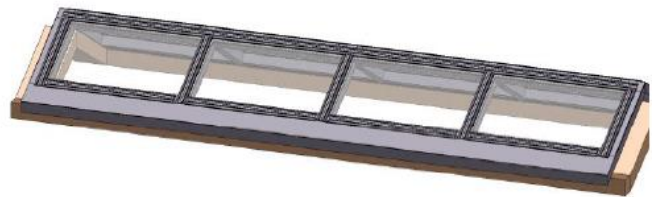
Pyramid



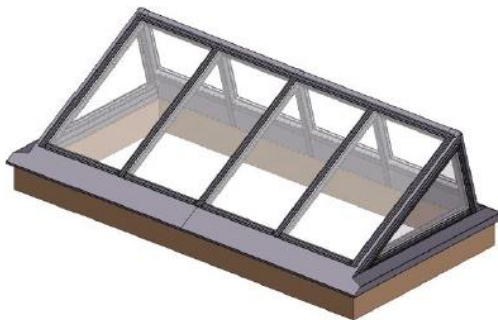
Hipped roof



Shallow pitched roof



Shallow pitched roof as ridge



Shed roof/ Light on northern gable side



Inclined shed roof without gable

North light

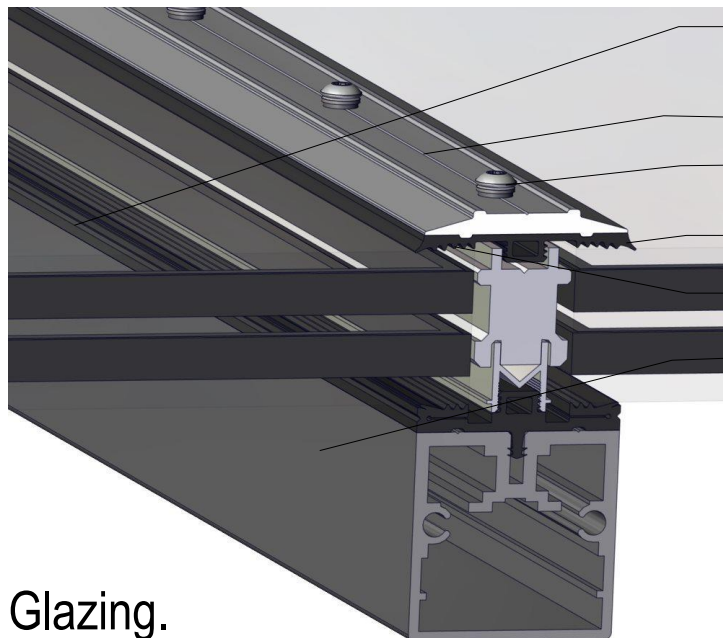


Inclined roof without gable

Special solutions



## Materials.



Glazing: PR60: Double glazing as standard with toughened outer and laminated safety inner. PR60 Passivhaus: Triple glazing as standard

Aluminium cover strip (your choice of RAL colour)

Stainless steel screw with gasket with optional external cover caps

Outer seal: EPDM

Inner seal: EPDM with water drainage

Rafters / bars of aluminium

## Glazing.

Please contact us to discuss your projects specific glazing requirements. We offer solar controlled glazing, matt light foil glazing and more.

## PR60 Opening Vents.

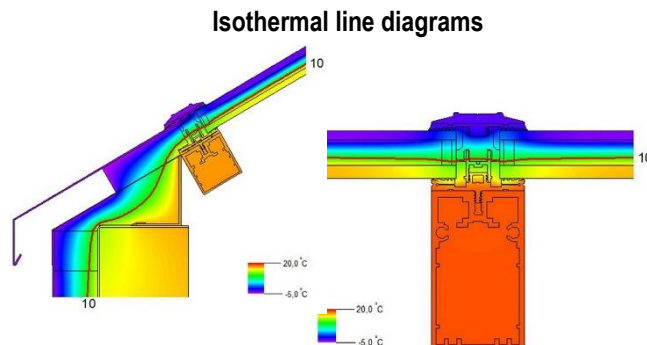


- Opening for daily ventilation (230v)
- Opening for SHEV (24v)

## Performance.

For full product performance specification available on request.

- CE marked quality according to EN 1873.
- Life Cycle Assessment (LCA) to EN 15804.
- Achieves BROOF(t4) classification to EN 13501-5.
- Typical U-value verification in accordance with EN ISO 10077-1 and 10077-2. System U-value: Double Glazed Thermal transmittance of glazing system:  $U_g$  approx.  $1.1 \text{ W/m}^2\text{K}$ .  $U_{mt} \leq 1.30 \text{ W/m}^2\text{K}$
- Airtight to Class 4, EN 12207.
- Water tightness to Class 4 according to BS EN 12208.
- Wind Load to Class C4, EN 12210.
- Thermally broken:  $10^\circ$  isothermal line remains within the structure (see diagram)



## Delivery, packing and storage.

All deliveries, unless otherwise agreed in writing, are by road transport and subject to our standard delivery terms, which are available within the document: 'Company overview and standard delivery and installation terms.' Off-loading is the responsibility of the buyer. A crane will be required (provided by customer) to lift materials onto the roof. Details of packing and safe storage are also included in this document.

## Interface and fitting.

Specialist installation service subject to our standard installation terms, which are available within the document: 'Company overview and standard delivery and installation terms.' Please call to discuss contract/site specific install requirements.