

### 3D-View

Turnable and zoom can be activated in Adobe Acrobat Reader under Windows



### Edit configuration

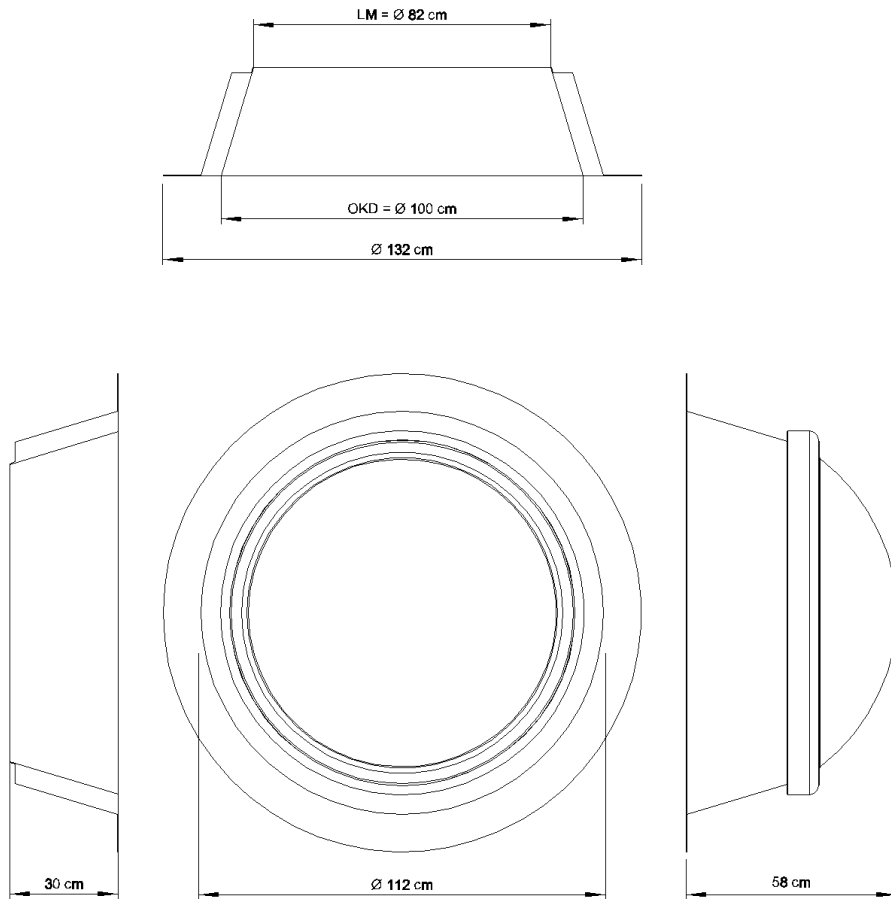
This configuration can be edited using the following link:

[Open in configurator](#)

## Product Features

Attribute	Value
<b>ROOFLIGHT F100 CIRCULAR</b>	
product ID	F100-LA3 100 rund K30 LR LOD500
level of detail	LOD 500
	lower LOD value = simplified selection and reduced geometry
<b>UPPER PART</b>	
order size, top roof edge size (OKD) [cm]	100
clear dimension (LM) [cm]	82
glazing	
thermal transition $U_t$ [W/m <sup>2</sup> K]	1.8
material	dome plastics
transparency	opal
	triple glazing
<b>UPSTAND</b>	
height [cm]	30
type of upstand	GRP upstand
<b>DRIVE</b>	
type of drive	without
<b>YOUR CONFIGURATION HAS THE FOLLOWING QUALITIES</b>	
OKD Ø	100 cm
LM Ø	82 cm
height of upstand	30 cm
thermal transition $U_t$	1.8 W/(m <sup>2</sup> K)
sound index $R_{w,p}$	24 dB
light transmission $\tau$	44 %
energy permeability $g$	44 %
snow load	0.68 kN/m <sup>2</sup> (assumption and basis of interpretation)
product standard	EN 1873-2
fall-through protection	no fall-through protection
construction material class upstand	E (according to EN 13501-1)
construction material class glazing	B2 (according to EN 13501-1)
hail resistance class	HW5 (according to VKF standard)

## Dimensional Drawing



## Attachments

Double-click a paperclip icon to open a file, or right-click to save it.