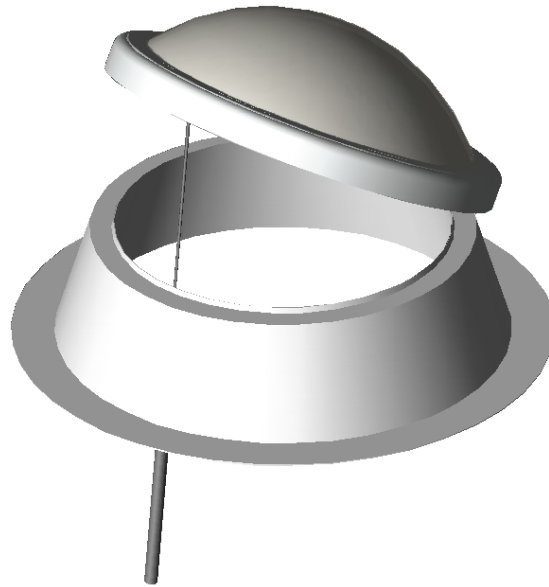


3D-View

Turnable and zoom can be activated in Adobe Acrobat Reader under Windows



Edit configuration

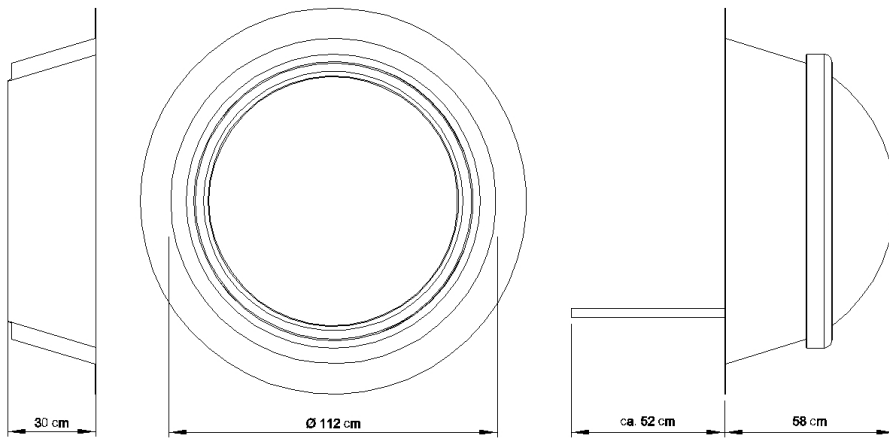
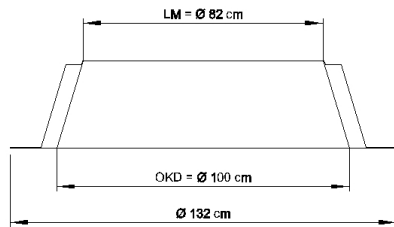
This configuration can be edited using the following link:

[Open in configurator](#)

Product Features

Attribute	Value
ROOFLIGHT F100 CIRCULAR	
product ID	F100-LA3 100 rund K30 LR VKF LOD500
level of detail	LOD 500
	lower LOD value = simplified selection and reduced geometry
UPPER PART	
order size, top roof edge size (OKD) [cm]	100
clear dimension (LM) [cm]	82
glazing	
thermal transition U_t [W/m ² K]	1.8
material	dome plastics
transparency	opal
	triple glazing
UPSTAND	
height [cm]	30
type of upstand	GRP upstand
DRIVE	
type of drive	230 V
lifting height of the drive [mm]	500
YOUR CONFIGURATION HAS THE FOLLOWING QUALITIES	
OKD \varnothing	100 cm
LM \varnothing	82 cm
height of upstand	30 cm
thermal transition U_t	1.8 W/(m ² K)
sound index $R_{w,p}$	24 dB
light transmission τ	44 %
energy permeability g	44 %
opening devices	spindle motor
lifting height	500 mm
voltage	230 V
snow load	0.68 kN/m ² (assumption and basis of interpretation)
product standard	EN 1873-2
fall-through protection	no fall-through protection
construction material class upstand	E (according to EN 13501-1)
construction material class glazing	B2 (according to EN 13501-1)
hail resistance class	HW5 (according to VKF standard)

Dimensional Drawing



Attachments

Double-click a paperclip icon to open a file, or right-click to save it.