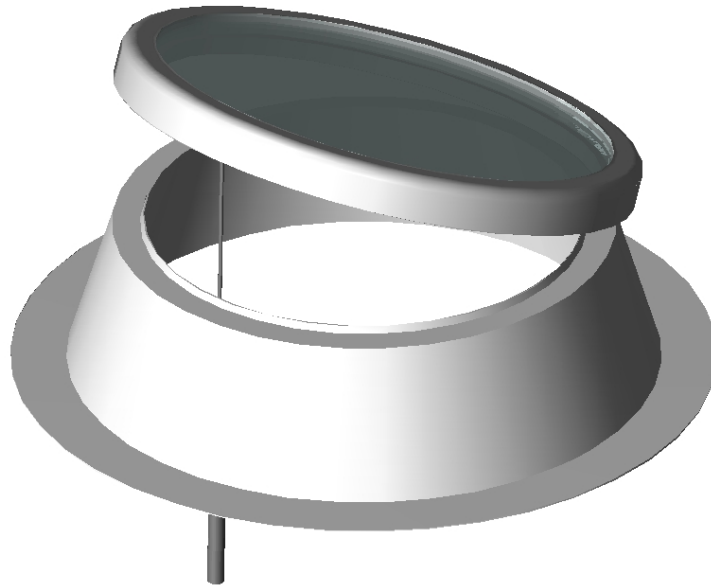


3D-View

Turnable and zoom can be activated in Adobe Acrobat Reader under Windows



Edit configuration

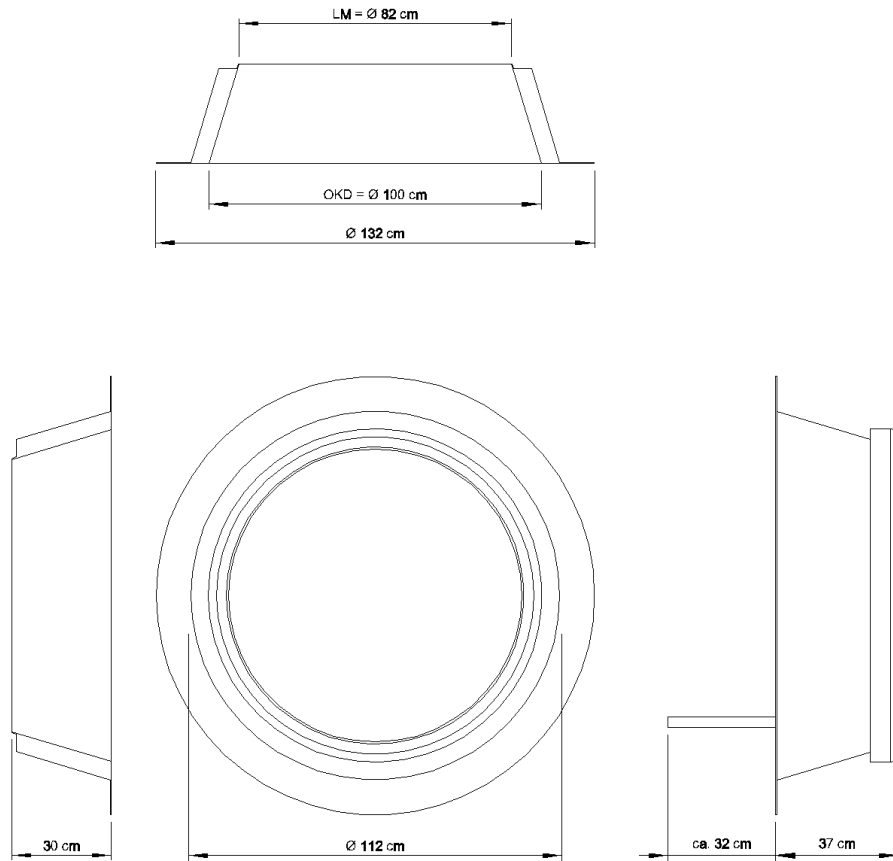
This configuration can be edited using the following link:

[Open in configurator](#)

Product Features

Attribute	Value
GLASS SKYLIGHT F100 CIRCULAR	
product ID	F100SG-R W801 100 rund K30 LR VKF LOD500
level of detail	LOD 500
	lower LOD value = simplified selection and reduced geometry
UPPER PART	
order size, top roof edge size (OKD) [cm]	100
clear dimension (LM) [cm]	82
glazing	
heat transition coefficient	1.1
transparency	clear
glazing type	heat insulant glass
UPSTAND	
height [cm]	30
type of upstand	GRP upstand
DRIVE	
Concealed chain drives (230 V) are just possible at size OKD 120 cm or 150 cm and in combination with a upstand height of 50 cm or 50 cm-5°.	
type of drive	230 V
lifting height of the drive [mm]	300
YOUR CONFIGURATION HAS THE FOLLOWING QUALITIES	
OKD	100 cm
LM	82 cm
height of upstand	30 cm
thermal transmission U _g	ca. 1.1 W/(m ² K)
noise insulation level	ca. 38 dB
light transmission τ	ca. 79 %
total energy transmission g	ca. 62 %
snow load	0.68 kN/m ² (assumption; basis for dimensioning)
opening devices	spindle motor
lifting height	300 mm
voltage	230 V
product standard	EN 1873-2
fall-through protection	fall-through proof (according to GS BAU 18)
construction material class upstand	E (according to EN 13501-1)
construction material class glazing	A1 (according to EN 13501-1)
hail resistance class	HW5 (according to VKF standard)
NOTE! After checking the local conditions, the design of the glazing and the drive may have to be adjusted.	

Dimensional Drawing



Attachments

Double-click a paperclip icon to open a file, or right-click to save it.