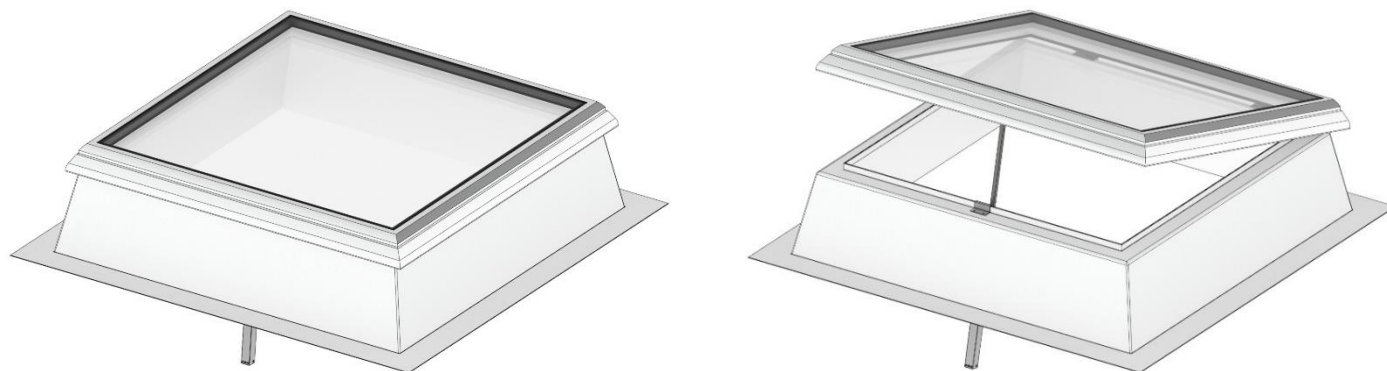


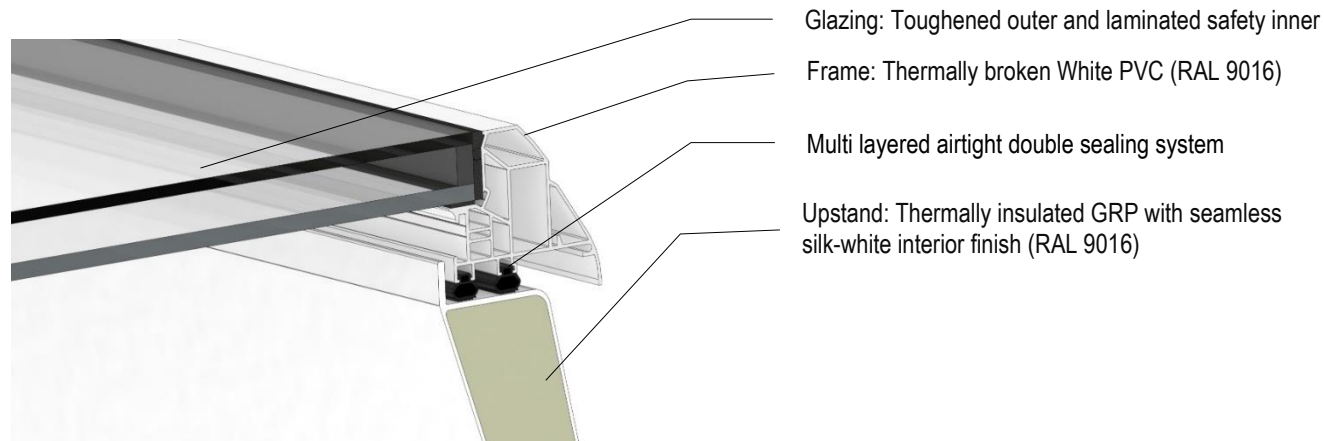
# LAMILUX Glass Skylight F100.

## Technical data sheet.



The Glass Skylight F100 offers high levels of wind and rain resistance and has enhanced isothermal characteristics in the overall construction – this results in no condensation whilst achieving maximum energy efficiency and thermal insulation alongside excellent air tightness values. Suitable for flat roof residential and new build administrative or school building projects it features a flush glass to frame edge detail both internally and externally, boasting not only a visually appealing seamless design, but also ensuring rainwater can run-off easily without leaving dirty edges or water ponding. The 90mm splay on the kerbs increases daylight transmission into the building compared to traditional vertical timber kerbs.

## Materials.



## Dimensions.



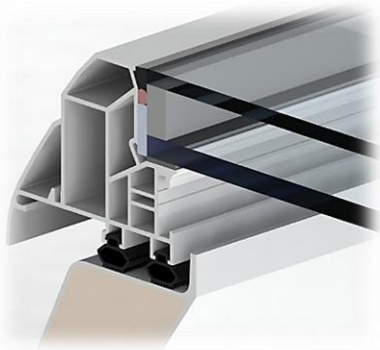
Available structural roof opening sizes (mm)				
600 x 600	700 x 1350	800 x 800	900 x 900	
600 x 900		800 x 1500	900 x 1200	
600 x 1200			900 x 1450	
1000 x 1000	1200 x 1200	1250 x 1250	1400 x 1400	1500 x 1500
1000 x 1500	1200 x 1500			

## Weights.

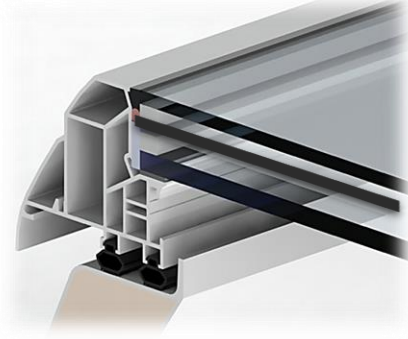
Structural roof opening size (mm)	Upper part		Upstand				
	Double glazed	Triple glazed	150mm	300mm	400mm	500mm	400mm -5°
600 x 600	c. 13 kg	c. 15 kg	c. 6 kg	c. 10 kg	c. 12 kg	c. 15 kg	c. 16 kg
600 x 900	c. 21 kg	c. 23 kg	c. 8 kg	c. 12 kg	c. 15 kg	c. 18 kg	c. 21 kg
600 x 1200	c. 27 kg	c. 30 kg	c. 9 kg	c. 14 kg	c. 18 kg	c. 22 kg	c. 25 kg
700 x 1350	c. 32 kg	c. 40 kg	c. 10 kg	c. 18 kg	c. 22 kg	c. 25 kg	c. 29 kg
800 x 800	c. 23 kg	c. 28 kg	c. 8 kg	c. 13 kg	c. 16 kg	c. 20 kg	c. 22 kg
800 x 1500	c. 41 kg	c. 51 kg	c. 12 kg	c. 18 kg	c. 23 kg	c. 28 kg	c. 32 kg
900 x 900	c. 28 kg	c. 35 kg	c. 9 kg	c. 14 kg	c. 18 kg	c. 22 kg	c. 24 kg
900 x 1200	c. 37 kg	c. 46 kg	c. 11 kg	c. 17 kg	c. 21 kg	c. 25 kg	c. 29 kg
900 x 1450	c. 45 kg	c. 56 kg	c. 12 kg	c. 19 kg	c. 24 kg	c. 29 kg	c. 33 kg
1000 x 1000	c. 35 kg	c. 43 kg	c. 10 kg	c. 17 kg	c. 21 kg	c. 25 kg	c. 27 kg
1000 x 1500	c. 52 kg	c. 64 kg	c. 13 kg	c. 21 kg	c. 26 kg	c. 31 kg	c. 35 kg
1200 x 1200	c. 50 kg	c. 63 kg	c. 12 kg	c. 20 kg	c. 25 kg	c. 30 kg	c. 33 kg
1200 x 1500	c. 62 kg	c. 78 kg	c. 14 kg	c. 22 kg	c. 28 kg	c. 33 kg	c. 38 kg
1250 x 1250	c. 55 kg	c. 68 kg	c. 13 kg	c. 21 kg	c. 26 kg	c. 31 kg	c. 35 kg
1400 x 1400	c. 68 kg	c. 86 kg	c. 14 kg	c. 23 kg	c. 38 kg	c. 35 kg	c. 39 kg
1500 x 1500	c. 79 kg	c. 99 kg	c. 15 kg	c. 24 kg	c. 30 kg	c. 37 kg	c. 37 kg

## Upper part.

Glazing structurally bonded into the frame giving a flush edge finish, creating an unobstructed drain for rainwater and removal of dirt and debris build up at the sill.



Double glazed



Triple glazed

Type	Glass outside (Toughened)	Spacer	Glass Centre	Spacer	Glass inside (Laminated)	Light Transmission	Total energy transmittance	Sound insulation value $R_{w,p}$	Ug-Value
Double glazed – standard	6mm	20	-	-	8mm	80%	0.57	C. 38dB	1.1 (W/m <sup>2</sup> k)
	6mm	20	-	-	8mm	54%	0.54		
Double glazed - solar control coating	6mm	20	-	-	8mm	61%	0.30		
	6mm	20	-	-	8mm	41%	0.29		
Triple glazed - standard	6mm	8	4 Float	8	8mm - clear	72%	0.51	C. 39dB	0.7 (W/m <sup>2</sup> k)
	6mm	8	4 Float	8	8mm - matt	49%	0.50		
Triple glazed – solar control coating	6mm	8	4 Float	8	8mm - clear	55%	0.28		
	6mm	8	4 Float	8	8mm - matt	37%	0.27		

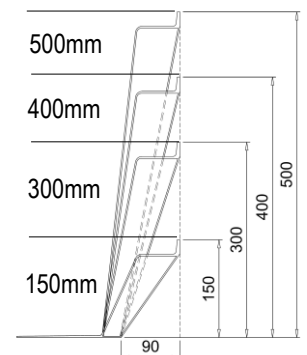
## Upstand.

Upstand is delivered pre-assembled to the upper part for quick and easy site installation.

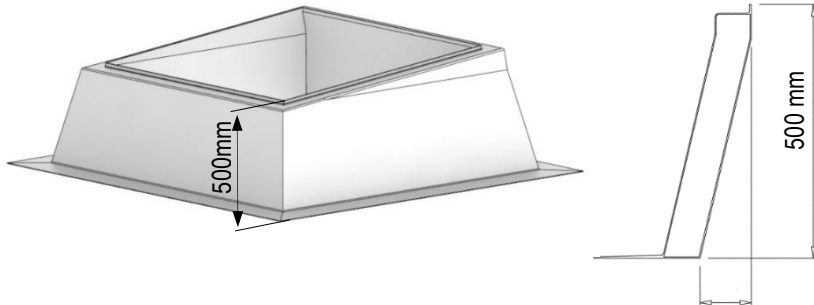
Option 1: For 5° to 30° roof openings. Standard upstand in a choice of heights: 150mm / 300mm / 400mm / 500mm.



standard

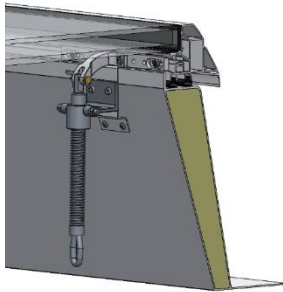


Option 2: For flat roof openings: 500mm high upstand with 5° inclination built in. Recommended on flat roofs to enable water drainage.

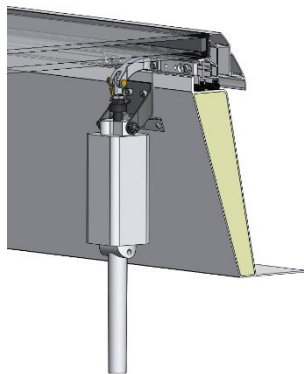


## Ventilation details.

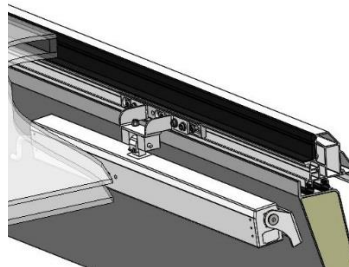
Manual opener



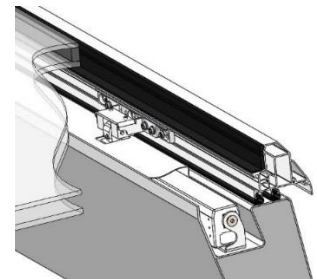
Spindle opener



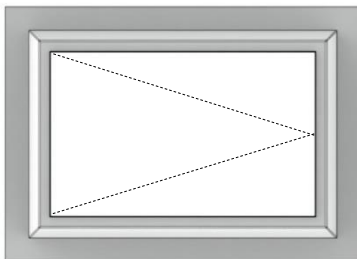
Chain drive (visible)



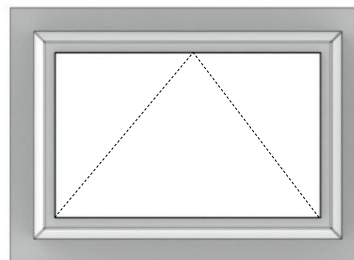
Chain drive (concealed)



Hinged as standard on the short side



Optional on the long side

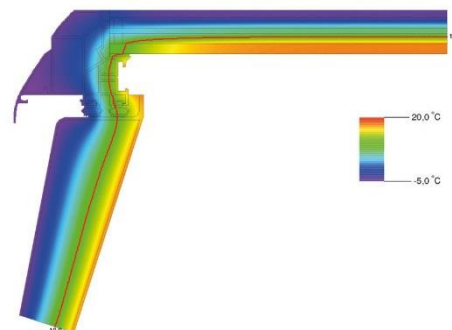


## Performance.

For full product performance specification available on request.

- CE marked quality according to EN 1873.
- Life Cycle Assessment (LCA) to EN 15804.
- Airtight to Class 4, EN 12207.
- Water tightness to Class 4 according to BS EN 12208.
- Wind Load to Class C4, EN 12210.
- CWCT Class 2 Non-fragile
- Thermally broken: 10° isothermal line remains within the structure (see diagram)

**Isothermal line diagram**



## Delivery, packing and storage.

All deliveries, unless otherwise agreed in writing, are by road transport and subject to our standard delivery terms, which are available within the document: 'Company overview and standard delivery and installation terms.' Off-loading is the responsibility of the buyer. Details of packing and safe storage are also included in this document.

## Interface and fitting.

Installation service, available on request. Subject to our standard installation terms, which are available within the document: 'Company overview and standard delivery and installation terms.' Installation guide available, please contact LAMILUX UK. Flat roofing membrane or roof covering to be sealed up the upstand by others to complete the weathertight assembly. Please call to discuss contract/site specific install requirements.