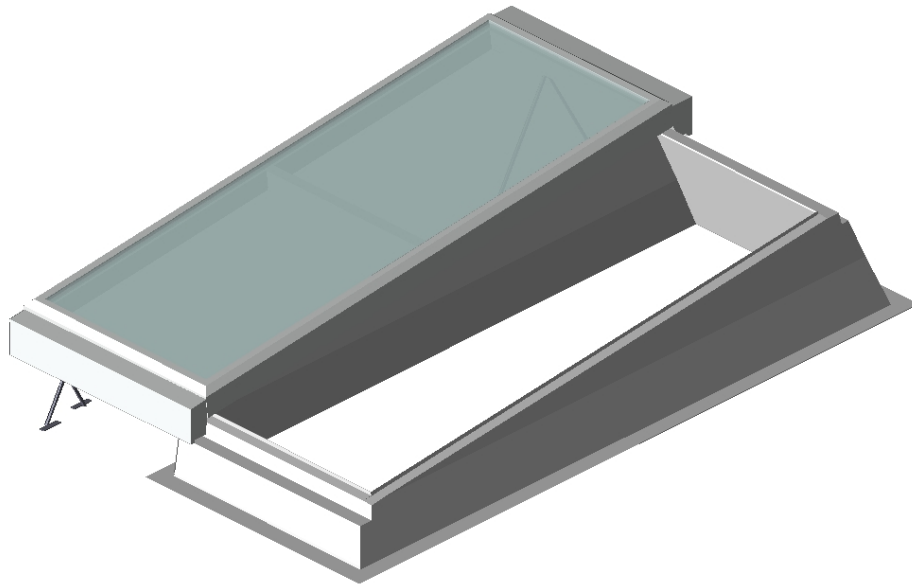


3D-View

Turnable and zoom can be activated in Adobe Acrobat Reader under Windows



Edit configuration

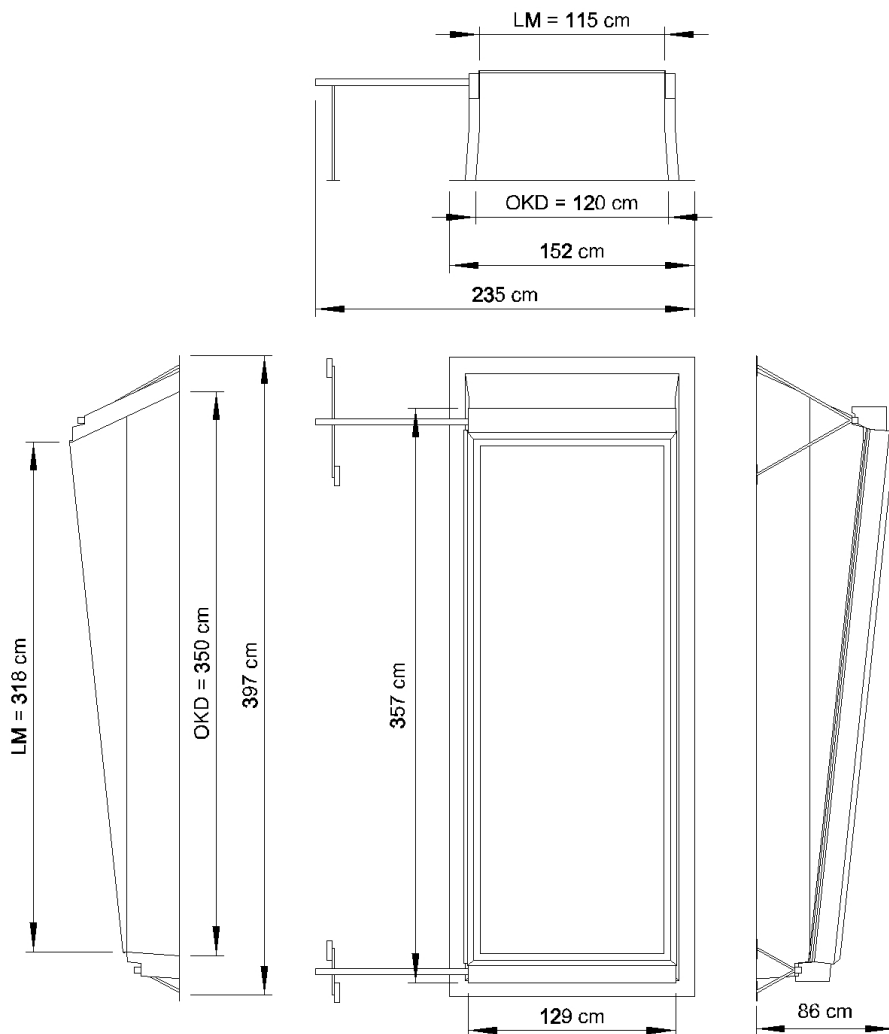
This configuration can be edited using the following link:

[Open in configurator](#)

Product Features

Attribute	Value
FLAT ROOF EXIT COMFORT SOLO	
product ID	FE 6° 1FDA LINKS 0.6 Clima ESG 120/350 RAL9016 K35-6 SS S 0.68 LOD500
level of detail	LOD 500
	lower LOD value = simplified selection and reduced geometry
show upper part open	yes
UPPER PART	
open side	left open
order size, top roof edge size (OKD) [cm]	120/350
clear dimension (LM) [cm]	115/318
emergency power supply	no
note!	for second escape route, no SHEV
glazing	
type of glazing	heat insulant glass
transparency	clear
shading	no
color selection	
colour assignment outside	selection
colour range	standard (RAL 9016)
internal colour deviant	no
Your configuration has the following qualities	
OKD length	350 cm
OKD width	120 cm
LM length	318 cm
LM width	115 cm
voltage	24 V
thermal transition U_g	ca. 0.6 W/(m ² K)
noise insulation level $R_{w,p}$	ca. 39 dB
light transmission τ	ca. 72 %
energy transmission g	ca. 51 %
snow load	0.68 kN/m ² (assumption and basis of interpretation)
product standard	EN 1873-2
fall-through protection	fall-through proof (according to GS BAU 18)
construction material class upstand	E (according to EN 13501-1)
construction material class glazing	A1 (according to EN 13501-1)
hail resistance class	HW5 (according to VKF standard)
NOTE! After checking the local conditions, the design of the glazing and the drive may have to be adjusted.	

Dimensional Drawing



Attachments

Double-click a paperclip icon to open a file, or right-click to save it.