

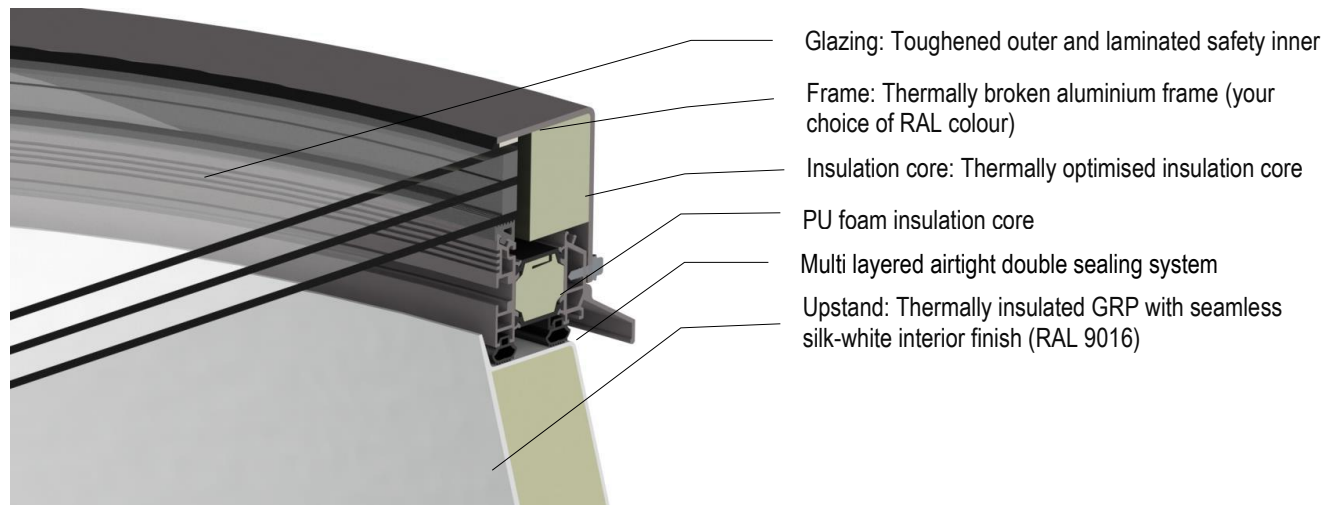
LAMILUX Glass Skylight FE Circular.

Technical data sheet.

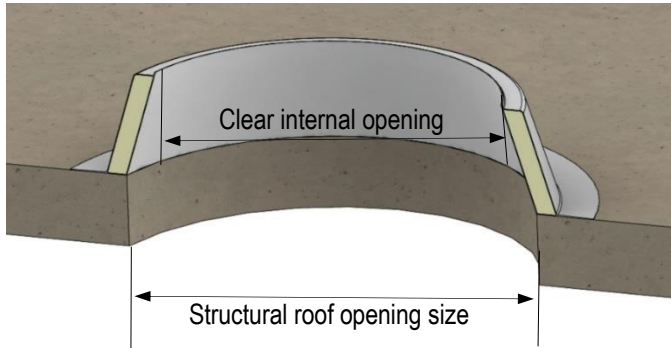


The Glass Skylight FE Circular offers high levels of wind and rain resistance and has enhanced isothermal characteristics in the overall construction – this results in no condensation whilst achieving maximum energy efficiency and thermal insulation alongside excellent air tightness values. Suitable for flat roof residential and administrative or school building projects the Glass Skylight FE circular is delivered as a fully pre-assembled unit with its GRP upstand, which ensures a quick and easy installation, removing the need to construct difficult circular timber upstands on site.

Materials.



Dimensions.



Available structural roof opening sizes (mm) Ø	Clear internal opening size (mm) Ø
900	720
1000	820
1200	1020
1500	1320
1800	1620
2000	1820
2200	2020

Weights.

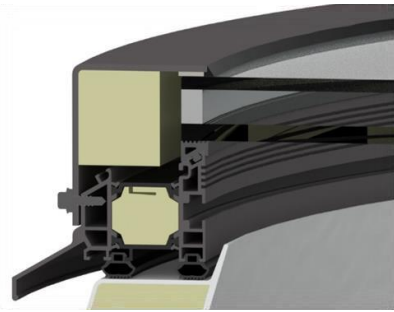
Structural roof opening size (mm) Ø	Upper part		Upstand			
	Double glazed	Triple glazed	300mm	500mm	700mm	500mm -5°
900	c. 23 kg	c. 28 kg	c. 13 kg	c. 17 kg	c. 23 kg	c. 25 kg
1000	c. 29 kg	c. 34 kg	c. 14 kg	c. 19 kg	c. 25 kg	c. 28 kg
1200	c. 41 kg	c. 50 kg	c. 16 kg	c. 22 kg	c. 30 kg	c. 34 kg
1500	c. 63 kg	c. 78 kg	c. 20 kg	c. 27 kg	c. 37 kg	c. 40 kg
1800	c. 91 kg	c. 112 kg	c. 25 kg	c. 33 kg	c. 46 kg	c. 48 kg
2000	c. 112 kg	c. 139 kg	c. 36 kg	-	-	-
2200	c. 135 kg	c. 168 kg	c. 40 kg	-	-	-

Upper part - framework.

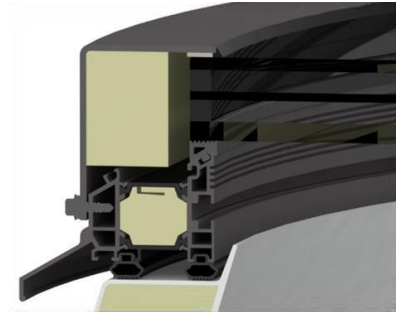
The aluminium framework can be coated in any single RAL colour as standard. Optionally dual powder coating is available if different internal and external finishes are preferred.



Upper part – glazing.



Double glazed



Triple glazed

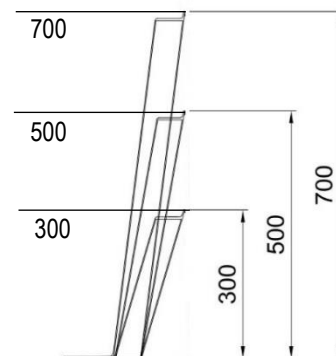
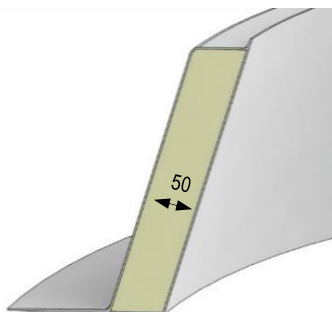
Further glazing options are available. Please call us to discuss specific project specification requirements if they are not included in the below table.

Type	Glass outside (Toughened)	Spacer	Glass Centre	Spacer	Glass inside (Laminated)	Light Transmission	Total energy transmittance	Sound insulation value $R_{w,p}$	Ug-Value
Double glazed – standard	6mm	16mm	-	-	8mm	80%	0.62	C. 38dB	1.1 (W/m ² k)
Double glazed – 60/30 solar control coating	6mm	16mm	-	-	8mm	61%	0.30	C. 38dB	1.1 (W/m ² k)
Double glazed – bioclean	6mm	16mm	-	-	8mm	80%	0.62	C. 38dB	1.1 (W/m ² k)
Double glazed – sound insulation	10mm	16mm	-	-	8mm	79%	0.55	C. 45dB	1.1 (W/m ² k)
Triple glazed - standard	6mm	14mm	4mm	14mm	8mm	72%	0.51	C. 39dB	0.6 (W/m ² k)
Triple glazed – 60/30 solar control coating	6mm	14mm	4mm	14mm	8mm	55%	0.28	C. 39dB	0.6 (W/m ² k)
Triple glazed – bioclean	6mm	14mm	4mm	14mm	8mm	72%	0.51	C. 39dB	0.6 (W/m ² k)

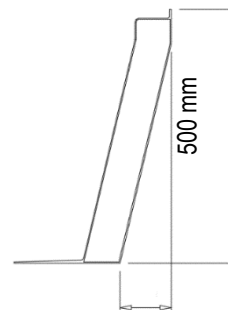
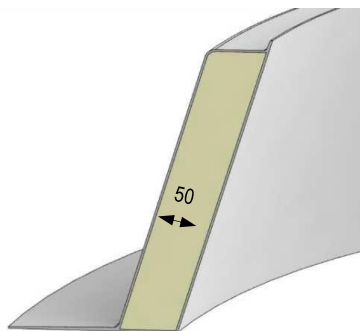
Upstand.

Upstand is delivered pre-assembled to the upper part for quick and easy site installation.

Option 1: For 5° to 30° roof openings. Standard upstand in a choice of heights: 300mm / 500mm / 700mm.



Option 2: For flat roof openings: 500mm high upstand with 5° inclination built in. Recommended on flat roofs to enable water drainage.



Ventilation details.

Spindle opener

Available in sizes up to 1500mm Ø.

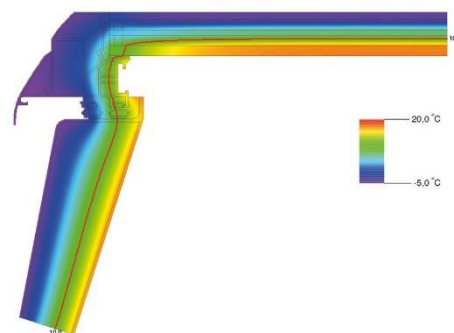


Performance.

For full product performance specification available on request.

- CE marked quality according to EN 1873.
- Life Cycle Assessment (LCA) to EN 15804.
- Airtight to Class 4, EN 12207.
- Water tightness to Class 4 according to BS EN 12208.
- Wind Load to Class C4, EN 12210.
- Thermally broken: 10° isothermal line remains within the structure (see diagram)

Isothermal line diagram



Delivery, packing and storage.

All deliveries, unless otherwise agreed in writing, are by road transport and subject to our standard delivery terms, which are available within the document: ‘Company overview and standard delivery and installation terms.’ Off-loading is the responsibility of the buyer. Details of packing and safe storage are also included in this document.

Interface and fitting.

Installation service, available on request. Subject to our standard installation terms, which are available within the document: ‘Company overview and standard delivery and installation terms.’ Installation guide available, please contact LAMILUX UK. Flat roofing membrane or roof covering to be sealed up the upstand by others to complete the weathertight assembly. Please call to discuss contract/site specific install requirements.